

Hardware Kit, Trunk Mount Plate NIKEN

BD5-284X2-**

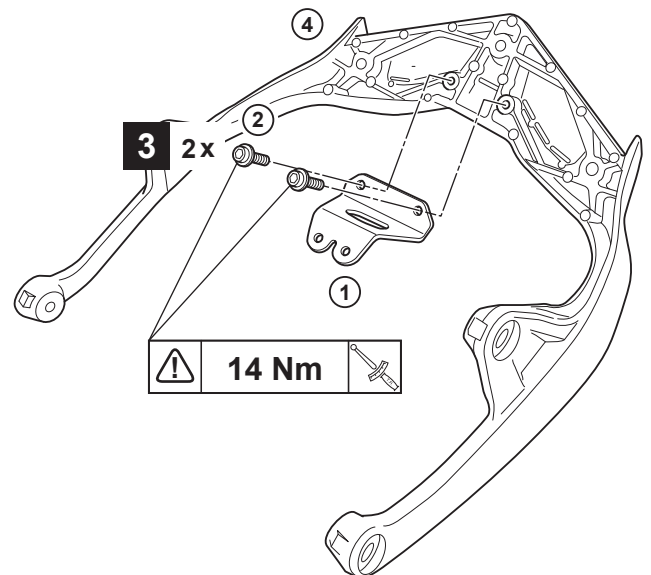
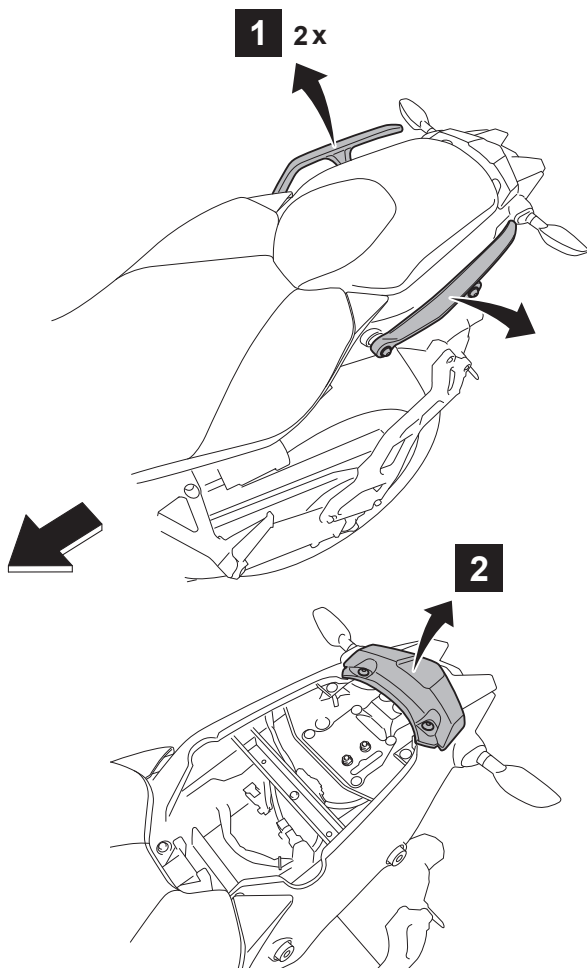
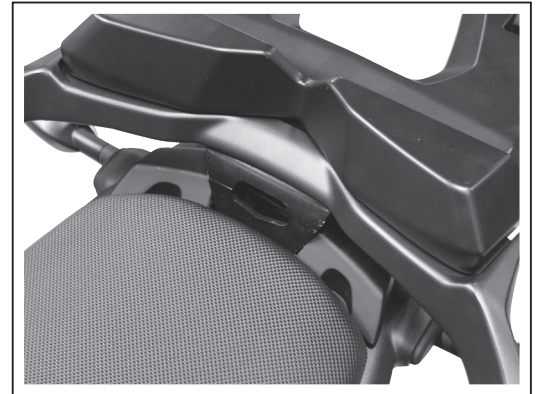


00:24



Posnr.	QTY	
①	1	
②	4	M6 X 14mm
③	1	

Posnr.	QTY			
④	1		BV1-F84X0-00	NOT INCLUDED
⑤	1		BD5-247J0-00	
⑥	3			



Easy, suitable for novice with little experience



Fairly easy, suitable for beginner with some experience



Fairly difficult, suitable for competent DIY mechanic



Difficult, suitable for experienced DIY mechanic



Very difficult, suitable for expert DIY or professional



Hardware Kit, Trunk Mount Plate NIKEN

