

Performance Damper TMAX

BBW-211H0- **

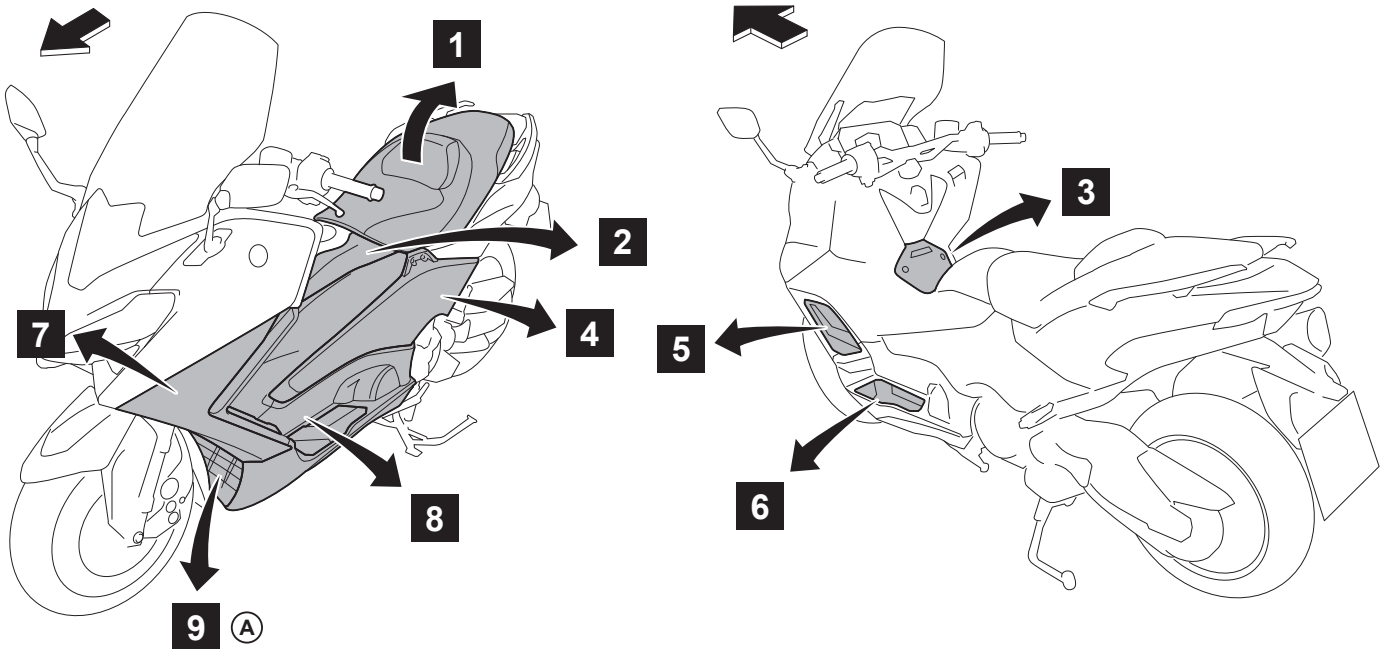


01:00



Posnr.	QTY	
①	1	
②	1	
③	1	M6 X 45mm
④	1	M6

Posnr.	QTY	
⑤	1	
⑥	1	M6 X 35mm
⑦	1	M6
⑧	1	M8
	1	M8
⑨	2	M8 X 00mm
⑩	1	



Easy, suitable for novice with little experience



Fairly easy, suitable for beginner with some experience



Fairly difficult, suitable for competent DIY mechanic



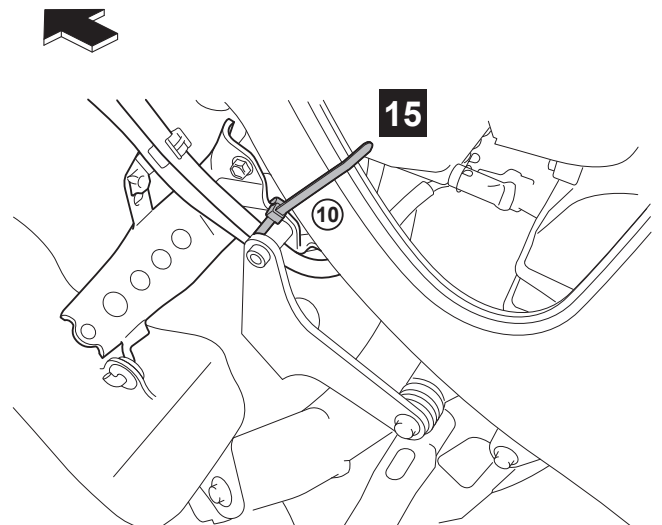
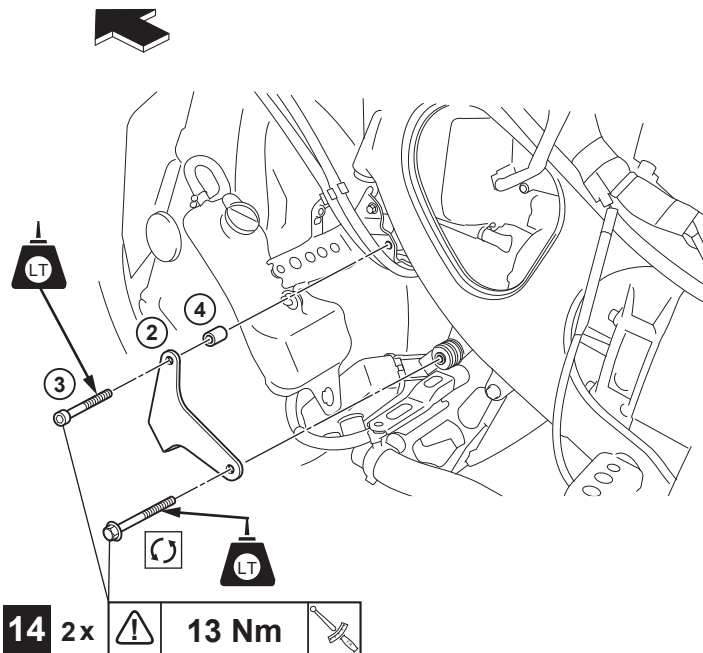
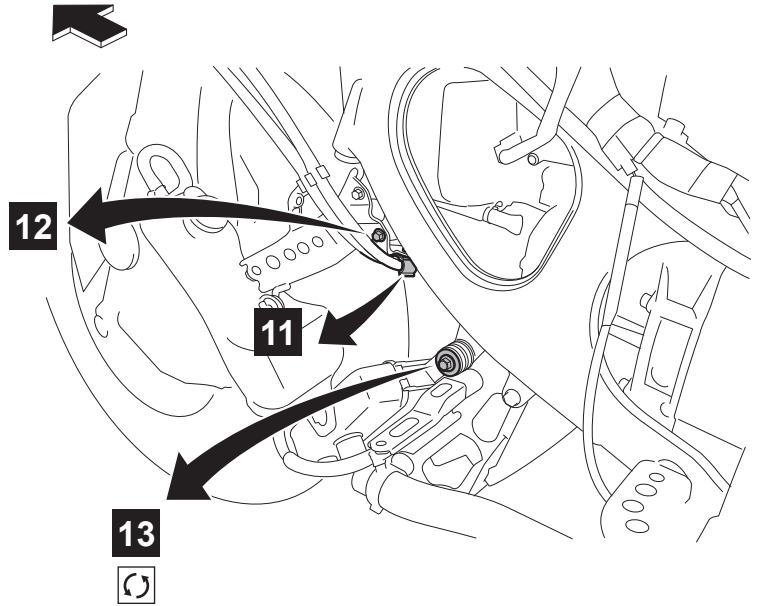
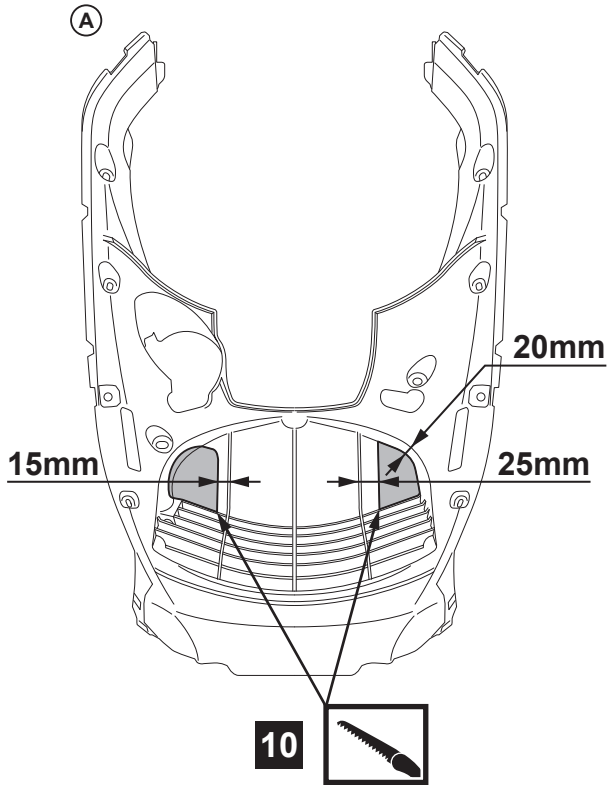
Difficult, suitable for experienced DIY mechanic



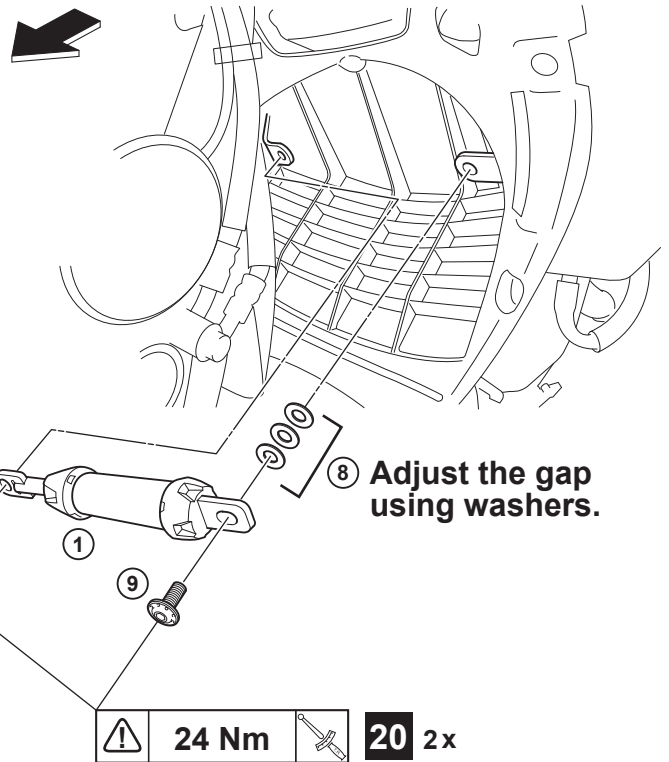
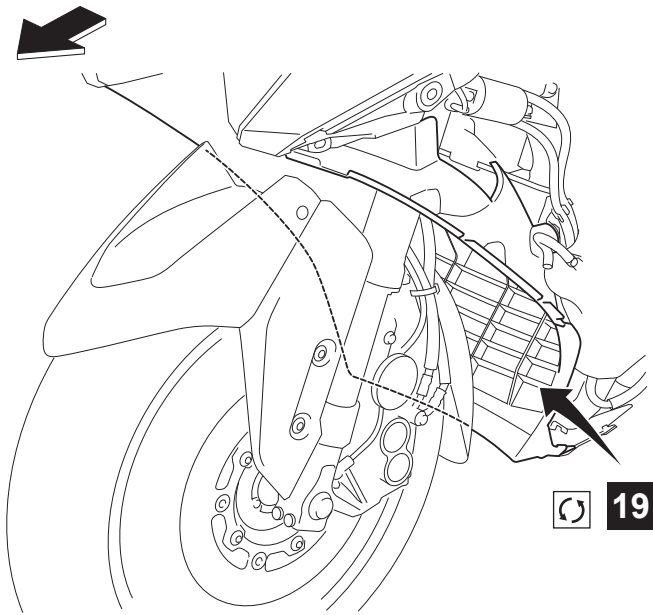
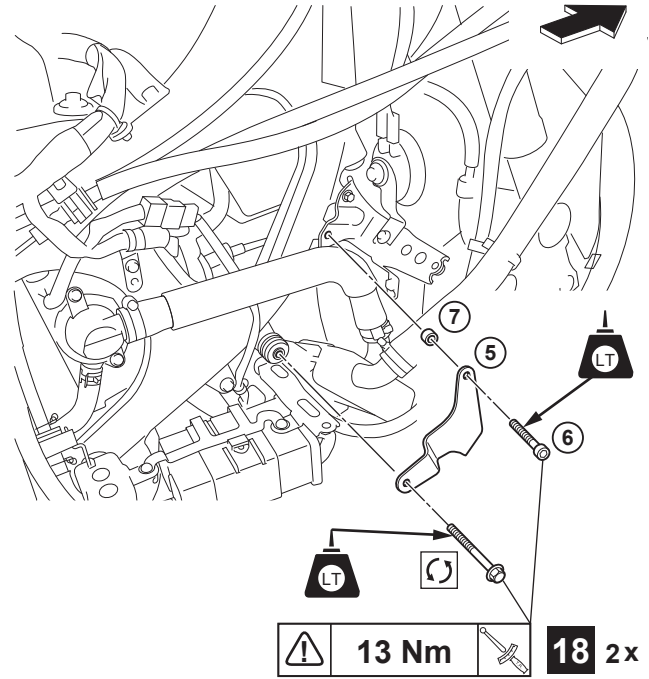
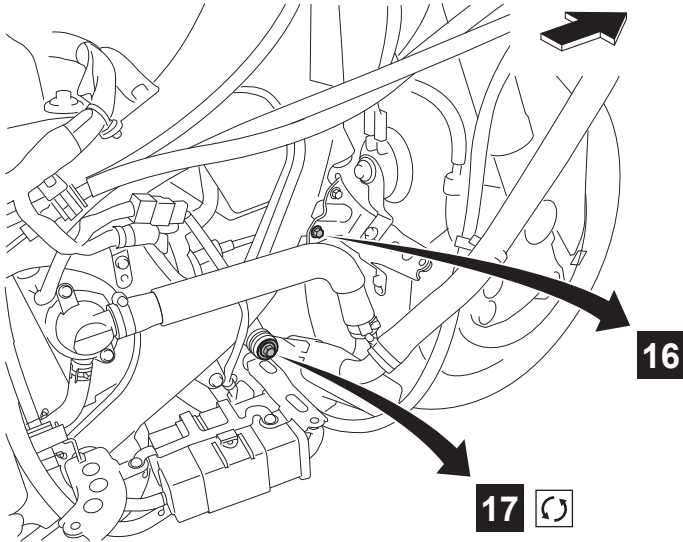
Very difficult, suitable for expert DIY or professional



Performance Damper TMAX



Performance Damper TMAX



X Do not dent the cylinder

X Do not expand or contract

X Do not rotate the rod

