

INSTALLATION INSTRUCTIONS

DESCRIPTION: Radiator Guard Kit
PART NUMBER: 2CR-E24D0-V0
MODEL: 2015~ YZF-R1



⚠ WARNING

Please read and understand these instructions completely before installation to avoid possible injury to yourself, or damage to the accessory or vehicle.

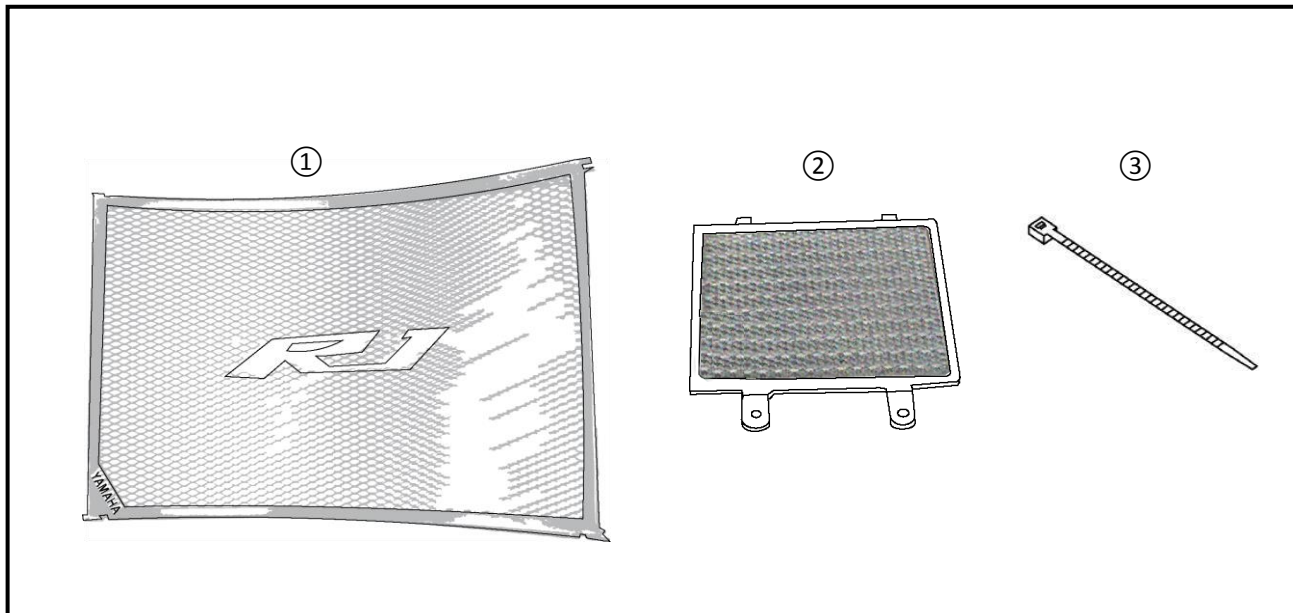
WARRANTY INFORMATION:

Genuine Yamaha accessories are covered by a one-year warranty against defects in material or workmanship. Labor for replacement of defective components is not covered. See your Yamaha dealer for a copy of the warranty statement.

DEALER OR INSTALLER:

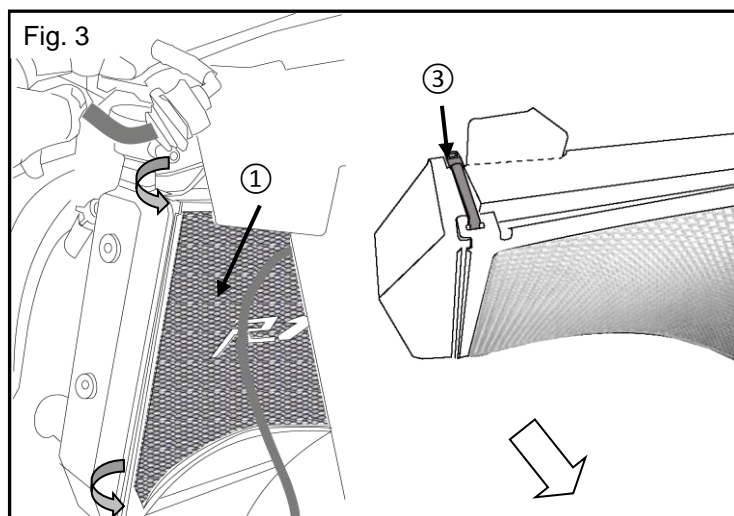
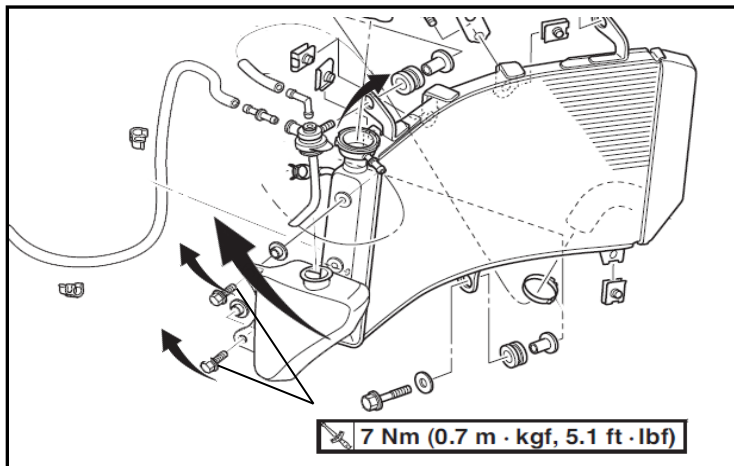
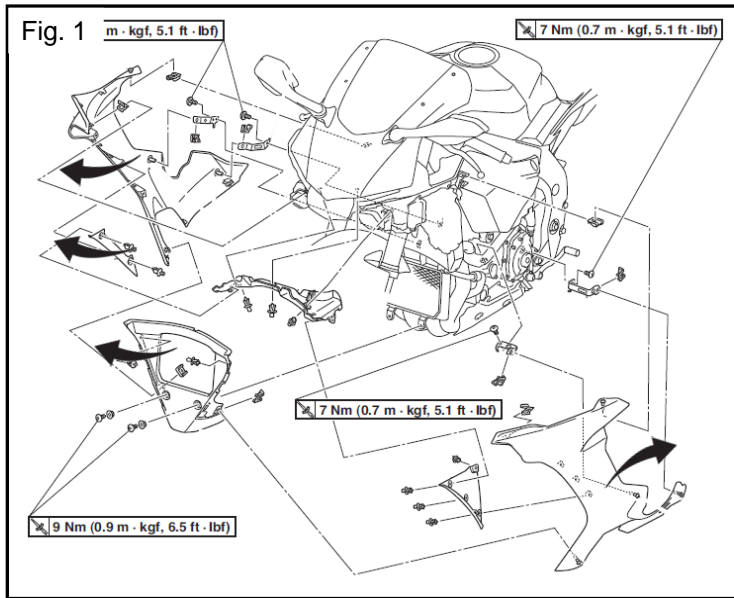
These instructions contain important information for future reference and *must* be given to the customer.

PARTS LIST:



No.	Part Number	Description	Qty
--	2CR-E24D0-V0	Radiator Guard Kit	--
①	*	Radiator Guard	1
②	*	Oil Cooler Guard	1
③	*	Cable Ties	5

* Part supplied with kit only and not available separately.



PREPARATION:

- Stand motorcycle on a secure and level surface.
- Clean mounting surfaces before installation.
- The engine and radiator should be cool to the touch.

INSTALLATION:

1. Remove the stock fairings on the left and right and retain all fasteners (Fig.1).
2. On the right side, remove the two bolts that hold the stock radiator overflow container to the bike and remove the radiator overflow container. Rest the overflow line just above the radiator cap. (Fig. 2 & 3).
3. Slip the radiator guard in front of the radiator. Rest the radiator guard on the upper and lower radiator frame. The built in tabs on the radiator guard will help center the guard on the radiator and push it away from the surface of the radiator.
4. Thread 4 zip ties through the radiator guard and through the openings in the outside corners of the radiator. Fasten the cable ties loosely. See Fig. 3 to see how cable tie secures radiator guard to radiator.
5. Tighten the top 2 cable ties first. Ensure the guard is centered and that the gap between the guard and the radiator is the same side to side before fully tightening the cable ties.
6. The Oil Cooler Guard is a direct replacement for the stock guard. Remove the stock guard and then install the Oil Cooler Guard (2) using the same mounts as stock.
7. Install the stock radiator overflow container with the stock bolts, reattach the overflow line to the radiator. Install the fairings using stock fasteners. Refer to Fig. 1 and 2.

MAINTENANCE:

Periodically check the cable ties and retighten or replace as needed.

CARE AND CLEANING:

Wash using a mild soap and water solution and soft cloth.

CUSTOMER SERVICE:

For further information see your Yamaha dealer.

ESTIMATED TIME TO INSTALL: 0.2 HR