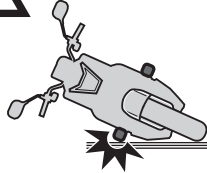


TRACER9 SIDE PROTECTOR KIT

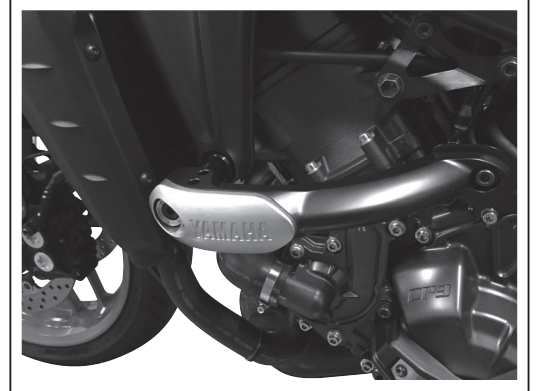
B7N-21980-00



20:00



Exchange



Posnr.	QTY		B7N-21980-A0 Repair Parts KIT (LH)	B7N-21980-A0 Repair Parts KIT (RH)
			QTY	QTY
①	2			
②	1		1	
③	1			1
④	2		1	1
⑤	2		1	1
⑥	1		1	
⑦	2	M10×50mm	1	1
⑧	1			1
⑨	2		1	1
⑩	2	M8×35mm	1	1
⑪	1		1	
⑫	1			1
⑬	2		1	1
⑭	2	M8×14mm	1	1
⑮	2	M8	1	1
⑯	2	M8×16mm	1	1
⑰	4	M6×35mm	2	2
⑱	4	M6	2	2

Easy, suitable for novice with little experience



Fairly easy, suitable for beginner with some experience



Fairly difficult, suitable for competent DIY mechanic



Difficult, suitable for experienced DIY mechanic



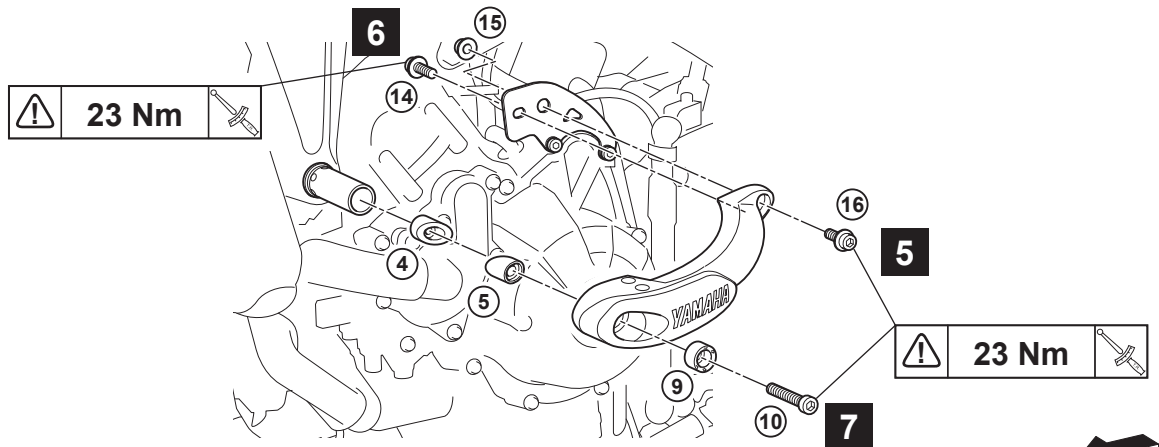
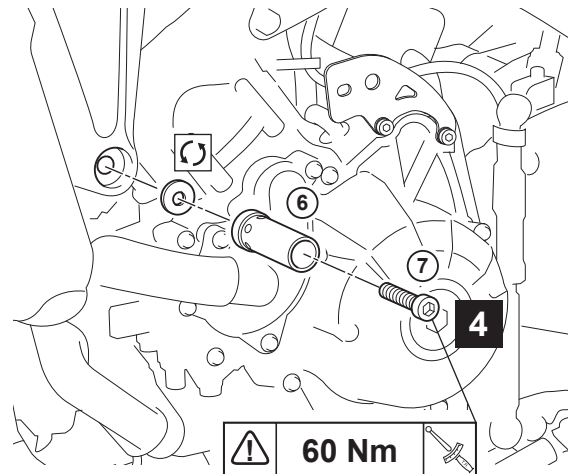
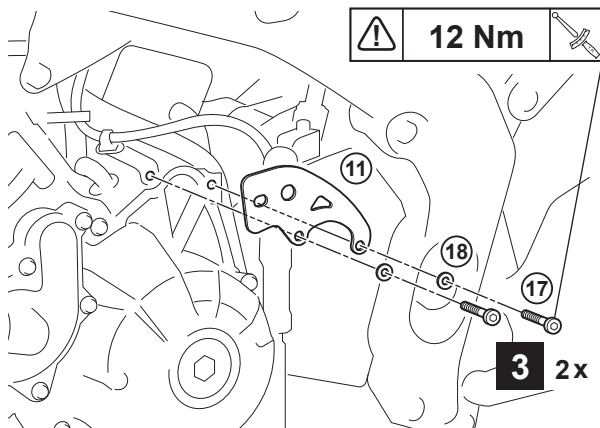
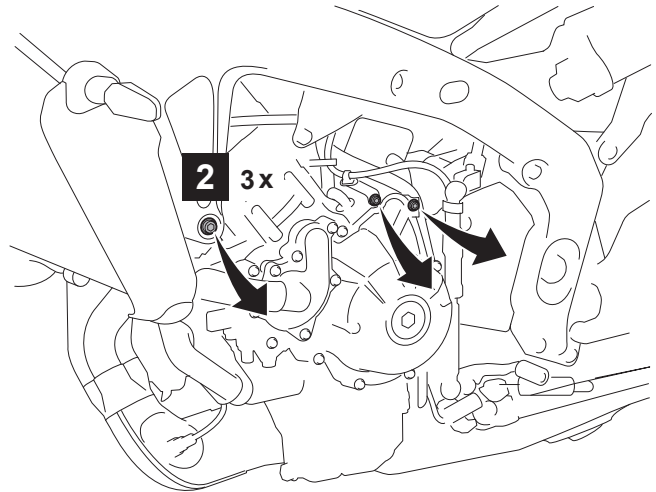
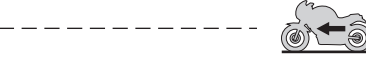
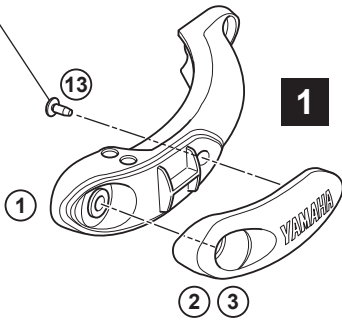
Very difficult, suitable for expert DIY or professional



TRACER9 SIDE PROTECTOR KIT



1.5 Nm



TRACER9 SIDE PROTECTOR KIT

