

TRACER9 Comfort Seat

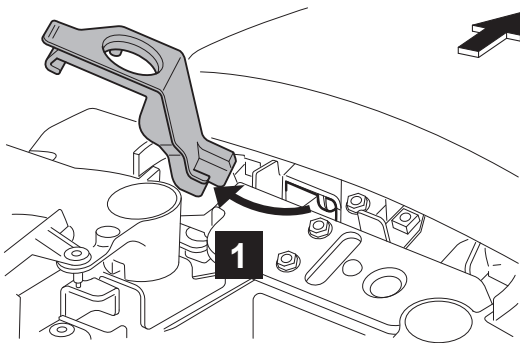
B5U-247C0-**



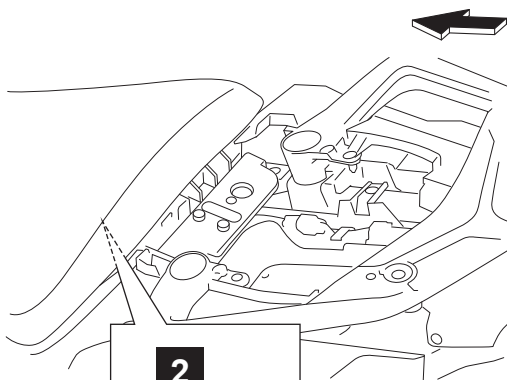
00:06



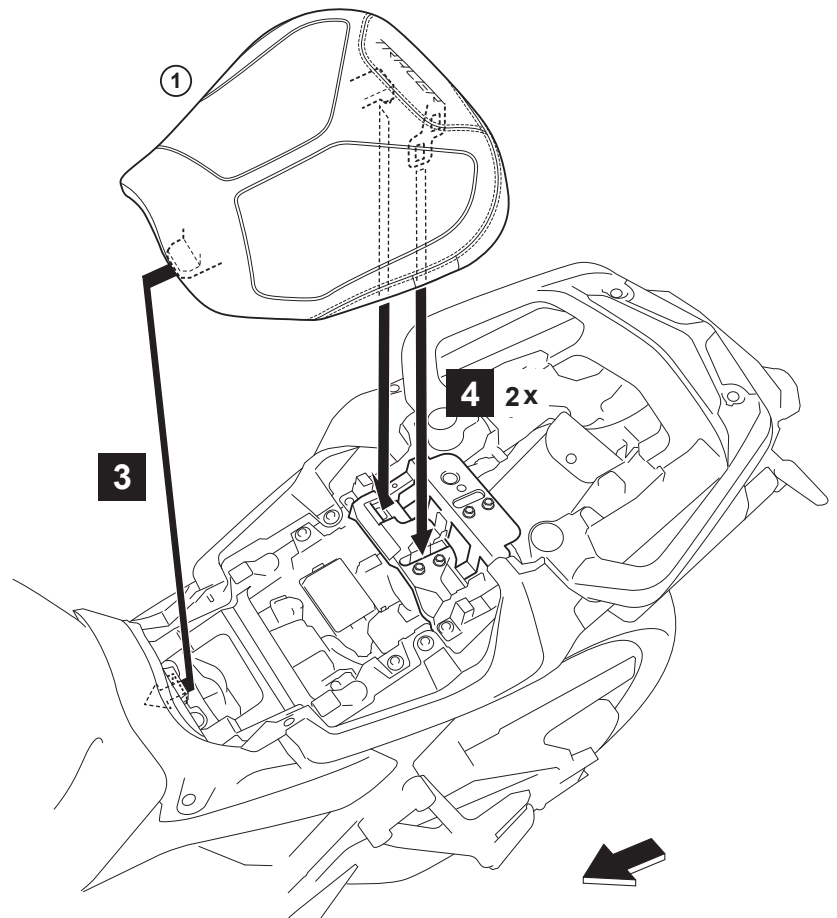
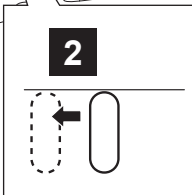
Posnr.	QTY	
①	1	



1



2



1

3

4 2x

Easy, suitable for novice with little experience



Fairly easy, suitable for beginner with some experience



Fairly difficult, suitable for competent DIY mechanic



Difficult, suitable for experienced DIY mechanic



Very difficult, suitable for expert DIY or professional

