

## YZF-R7 Seat Cowl

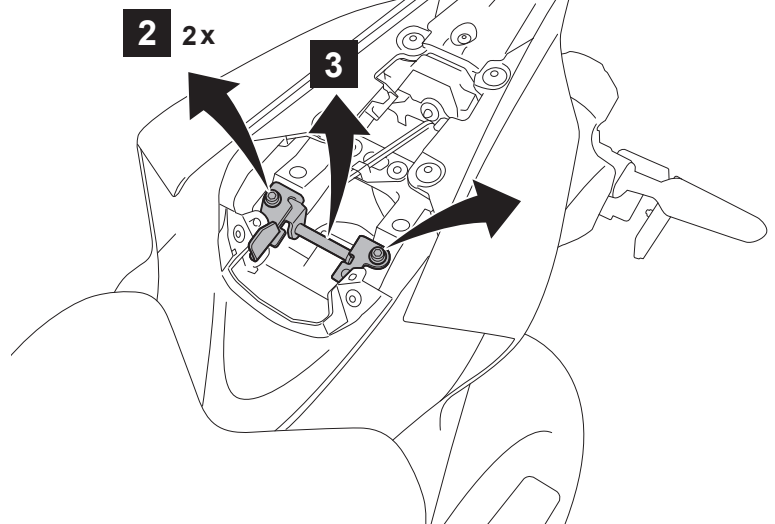
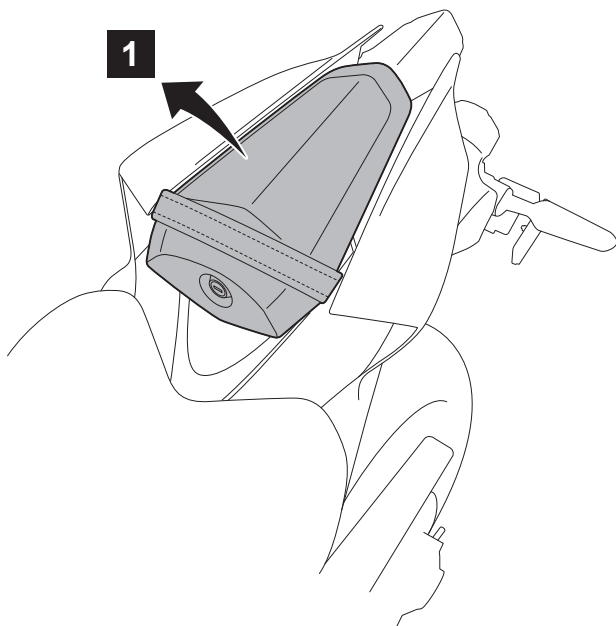
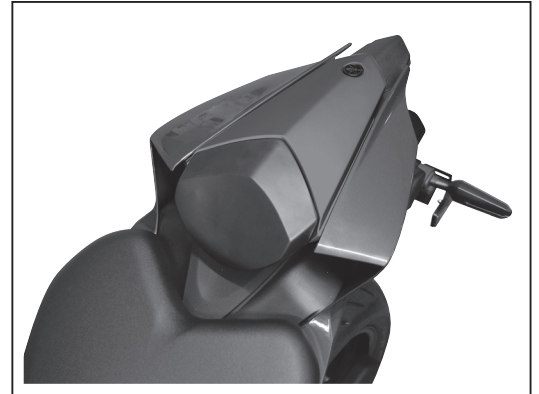
BEB-247F0-\*\*



00:12



Posnr.		R1	R6	R7
①		1	1	1
②		1	1	NOT USED
③		NOT USED	NOT USED	1
④	M6 X 12mm	2	2	2
⑤	M6 X 16mm	2	2	2
⑥	① M6	NOT USED	2	NOT USED



**Easy**, suitable for novice with little experience



**Fairly easy**, suitable for beginner with some experience



**Fairly difficult**, suitable for competent DIY mechanic



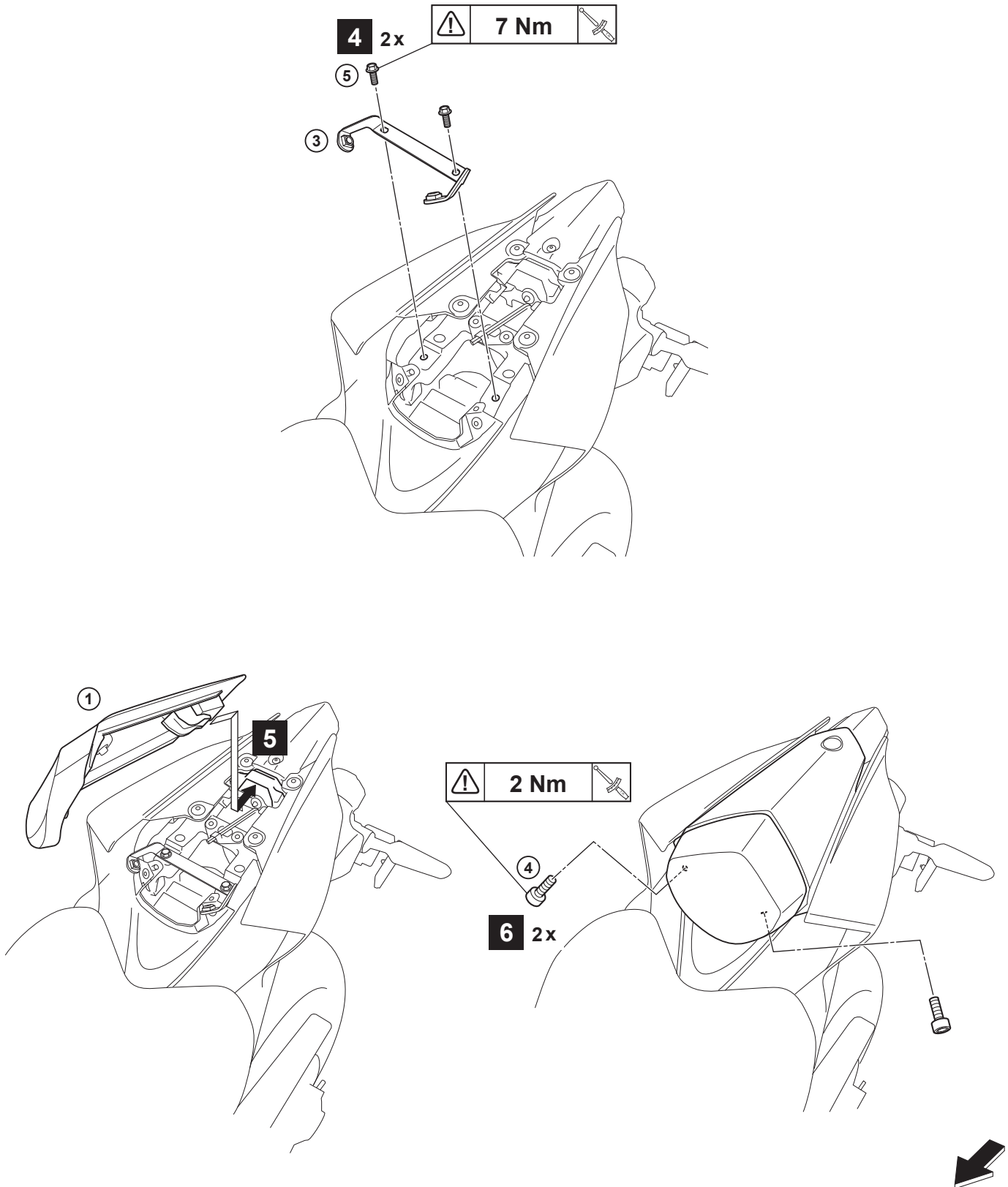
**Difficult**, suitable for experienced DIY mechanic



**Very difficult**, suitable for expert DIY or professional



## YZF-R7 Seat Cowl



## YZF-R6 Seat Cowl

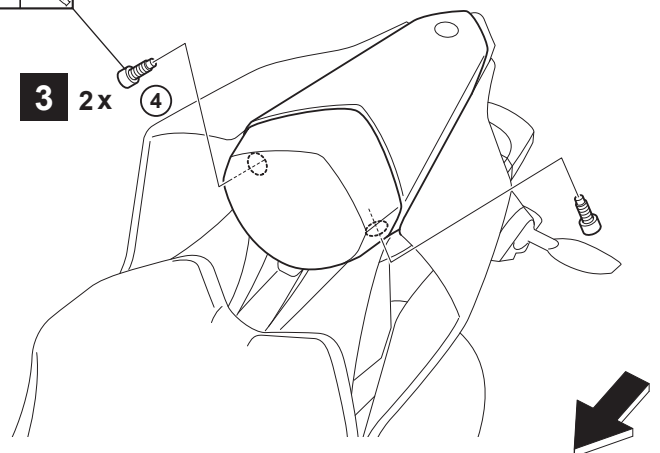
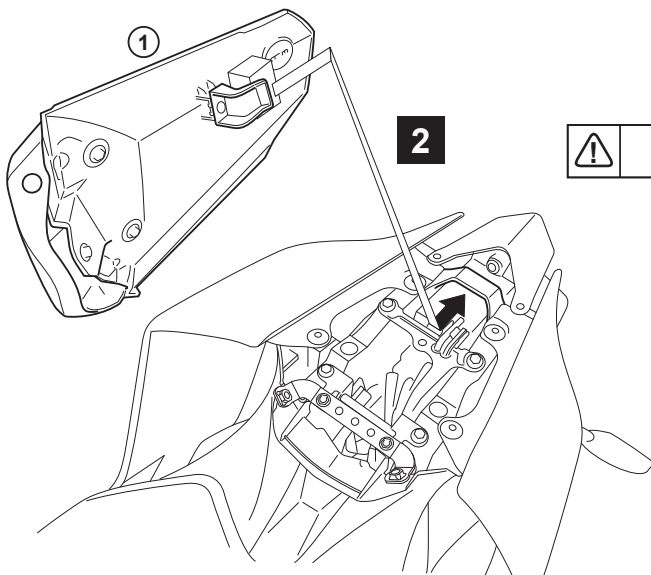
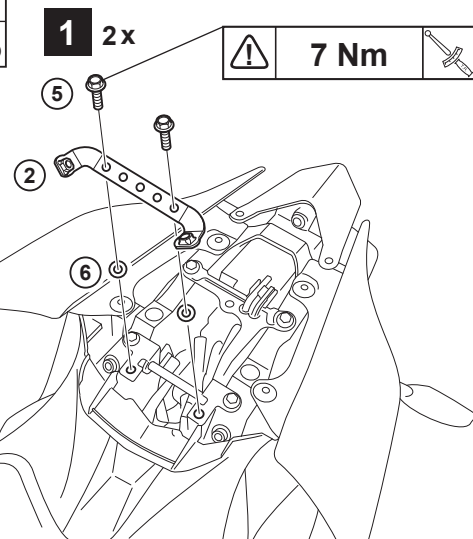
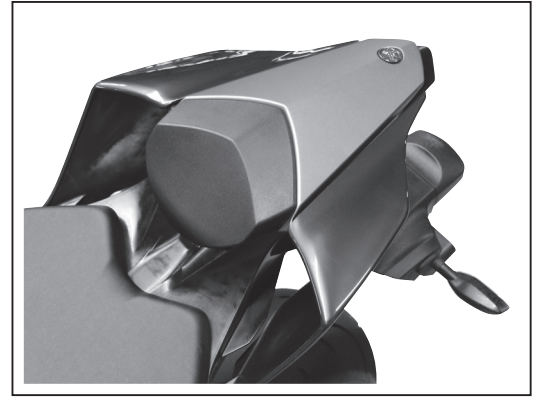
BEB-247F0-\*\*



00:12



Posnr.		R1	R6	R7
①		1	1	1
②		1	1	NOT USED
③		NOT USED	NOT USED	1
④	M6 X 12mm	2	2	2
⑤	M6 X 16mm	2	2	2
⑥	M6	NOT USED	2	NOT USED



## YZF-R1 Seat Cowl

BEB-247F0-\*\*



00:12



Posnr.		R1	R6	R7
①		1	1	1
②		1	1	NOT USED
③		NOT USED	NOT USED	1
④	M6 X 12mm	2	2	2
⑤	M6 X 16mm	2	2	2
⑥	① M6	NOT USED	2	NOT USED

