

## MT-10 Brush Guard

B5Y-285F0-\*\*

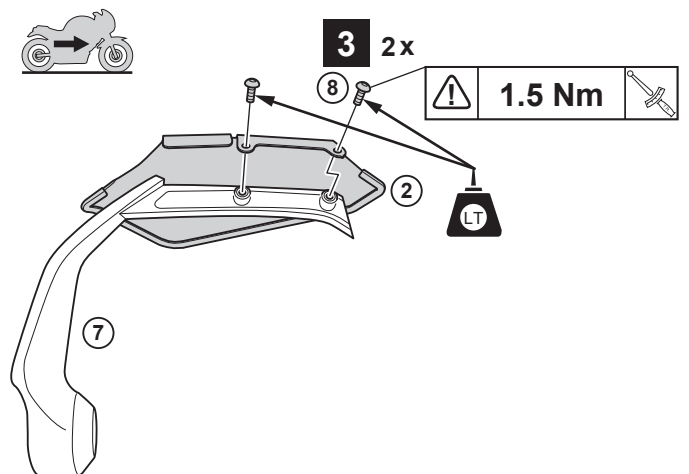
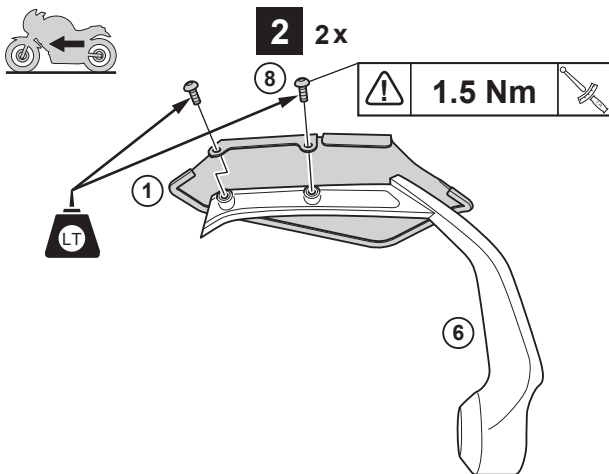
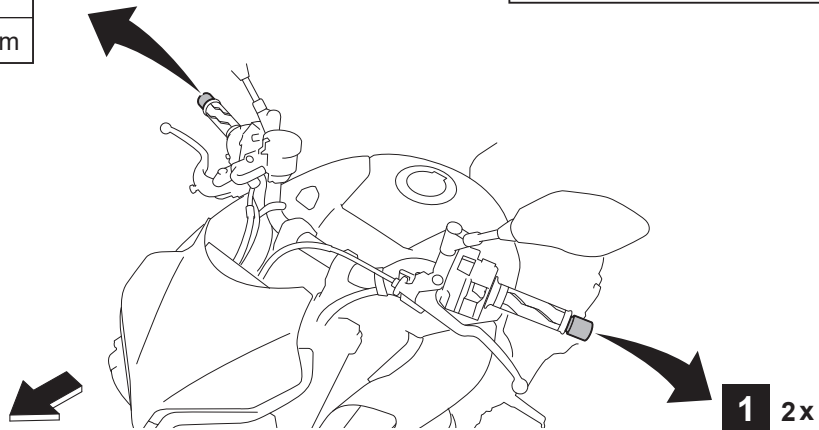
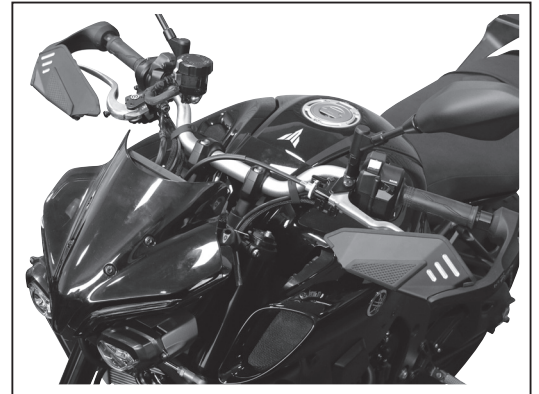


00:12



Posnr.	QTY	
①	1	
②	1	
③	2	
④	2	
⑤	2	M8 X 50mm

Posnr.	QTY	
⑥	1	
⑦	1	
⑧	4	M5 X 8mm



**Easy**, suitable for novice with little experience



**Fairly easy**, suitable for beginner with some experience



**Fairly difficult**, suitable for competent DIY mechanic



**Difficult**, suitable for experienced DIY mechanic




**Very difficult**, suitable for expert DIY or professional



## MT-10 Brush Guard



 **26 Nm** 