

Trunk Mount Plate Kit

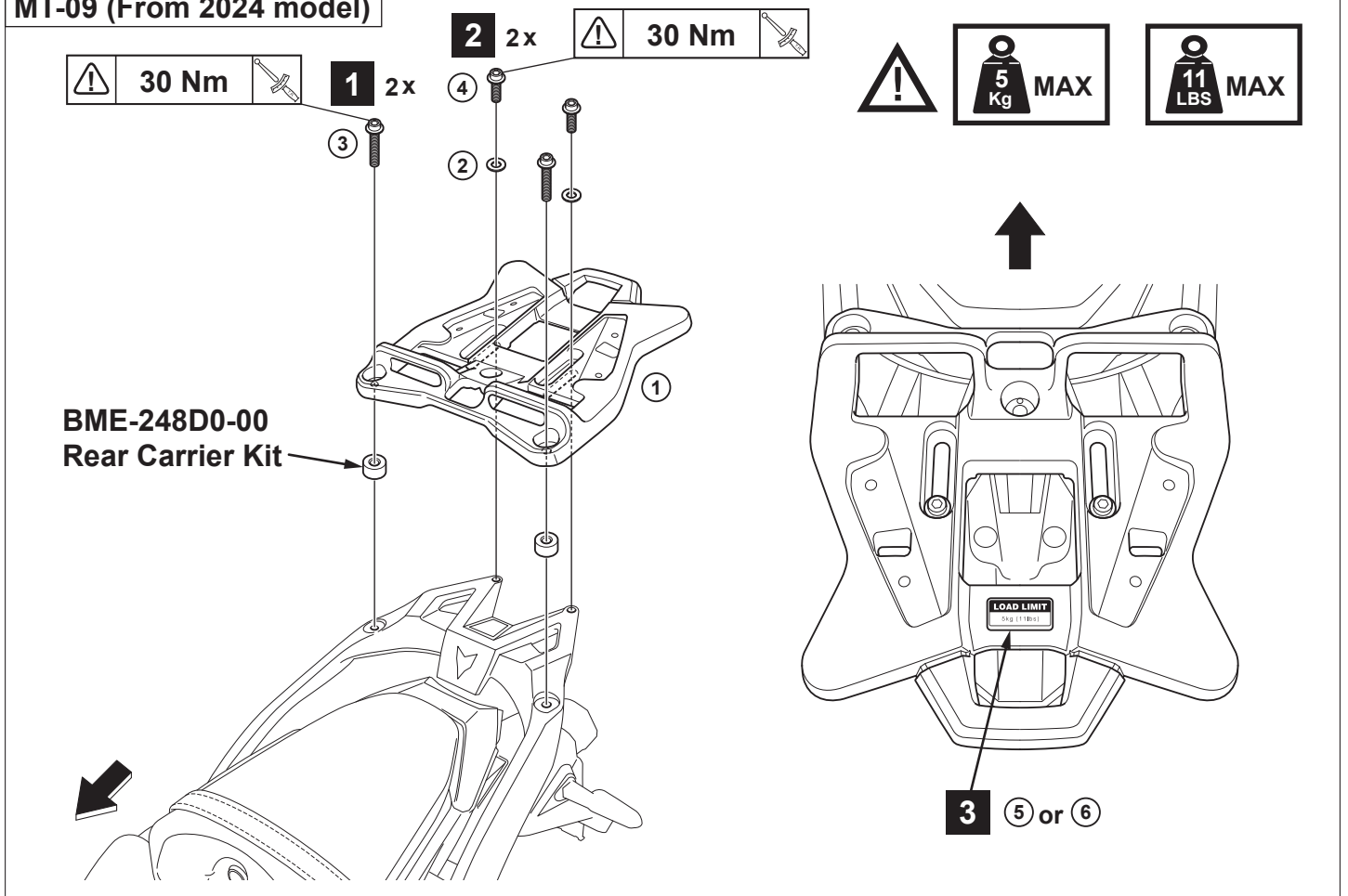
BME-284X0-**



Posnr.		QTY	MT-09
①		1	
②	① M8	2	
③	M8 X 40mm	2	
④	M8 X 25mm	2	
⑤	LOAD LIMIT 5 kg (11 lbs)	1	
⑥	LOAD LIMIT 3 kg (7 lbs)	3kg	NOT USED



MT-09 (From 2024 model)



<p>Easy, suitable for novice with little experience</p>	<p>Fairly easy, suitable for beginner with some experience</p>	<p>Fairly difficult, suitable for competent DIY mechanic</p>	<p>Difficult, suitable for experienced DIY mechanic</p>	<p>Very difficult, suitable for expert DIY or professional</p>
--	---	---	--	---