

MT-09 Rear Carrier Base Kit

BME-248D0-**



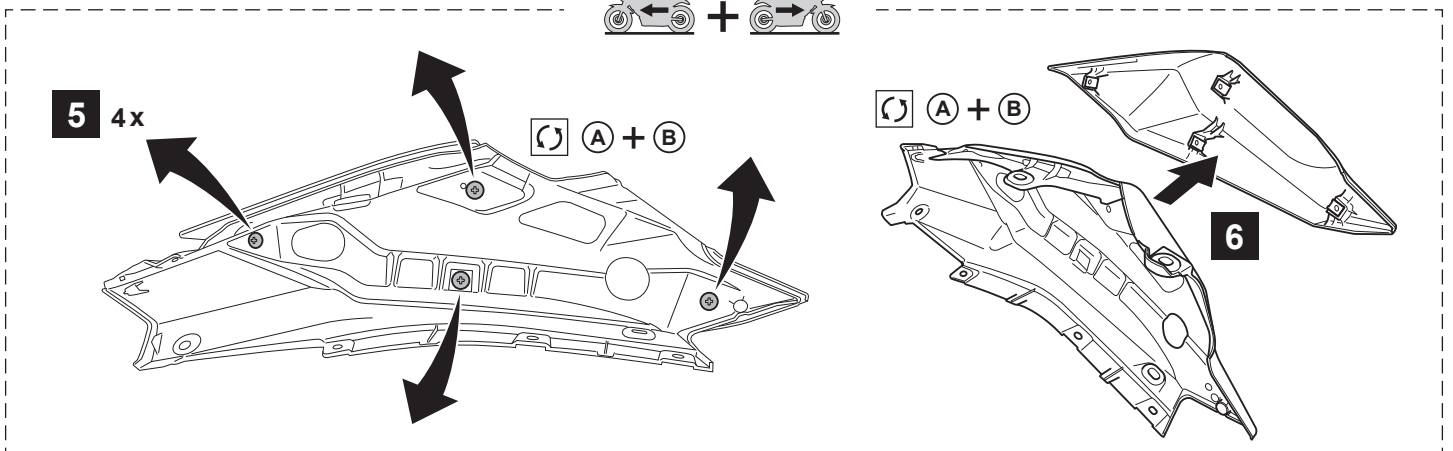
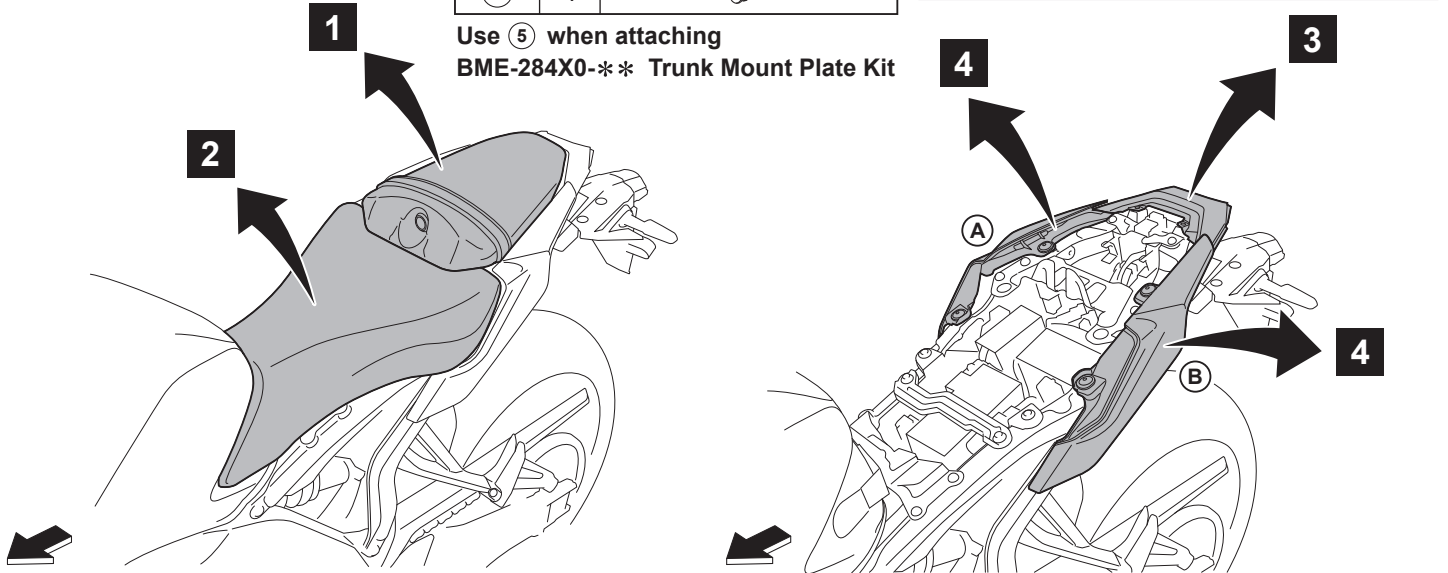
00:18



Posnr.	QTY		
①	1		
②	4		M8
③	2		M8 X 60mm
④	2		M8 X 40mm
⑤*	2		M8
⑥	4		



Use ⑤ when attaching
BME-284X0-** Trunk Mount Plate Kit



Easy, suitable for novice with little experience



Fairly easy, suitable for beginner with some experience



Fairly difficult, suitable for competent DIY mechanic



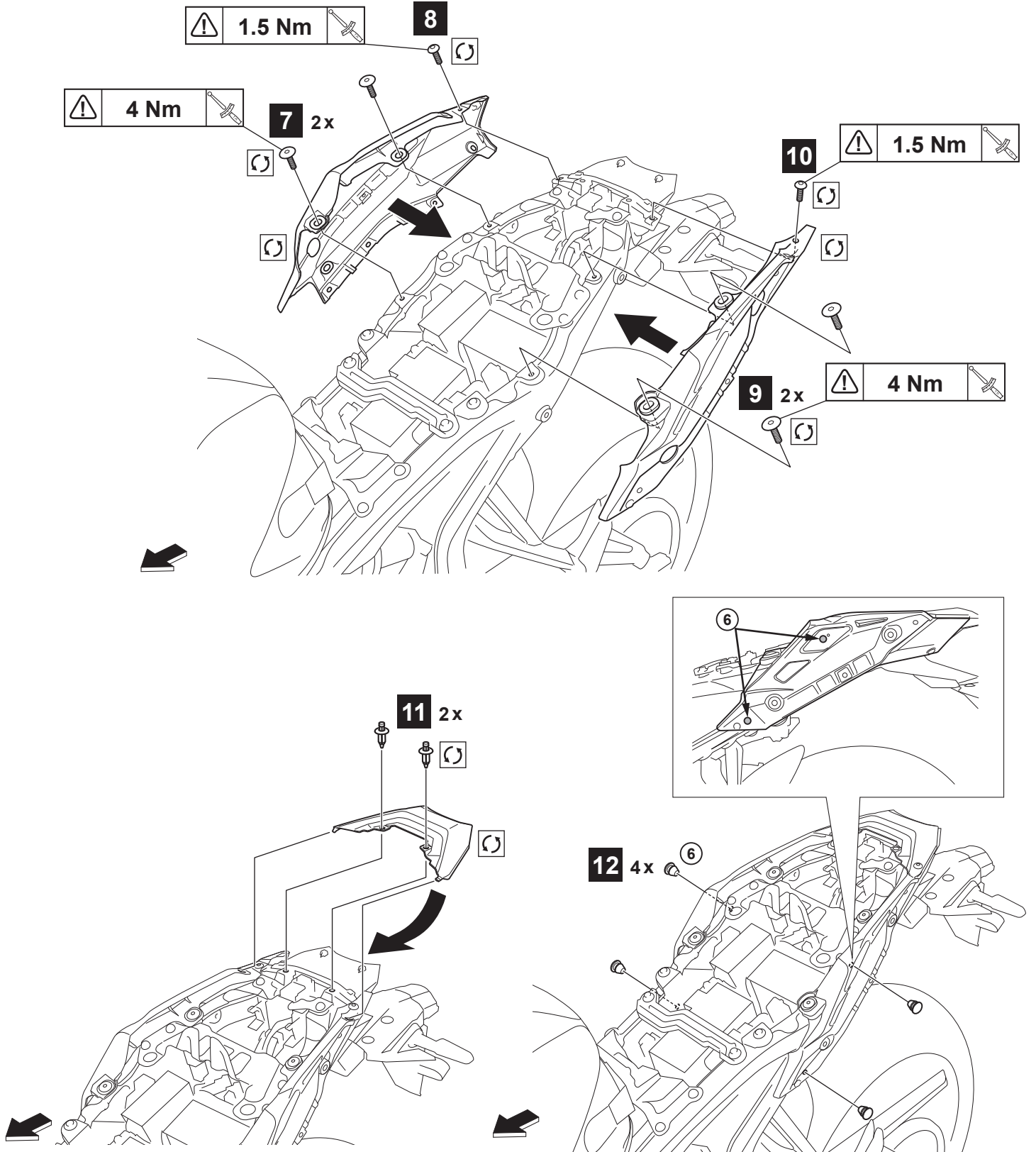
Difficult, suitable for experienced DIY mechanic



Very difficult, suitable for expert DIY or professional



MT-09 Rear Carrier Base Kit



MT-09 Rear Carrier Base Kit

