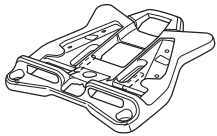

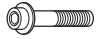
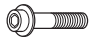




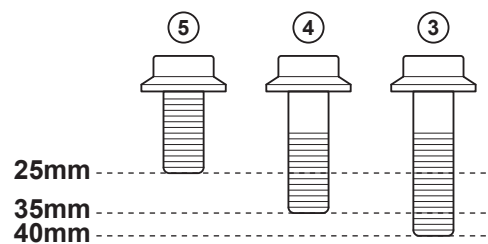
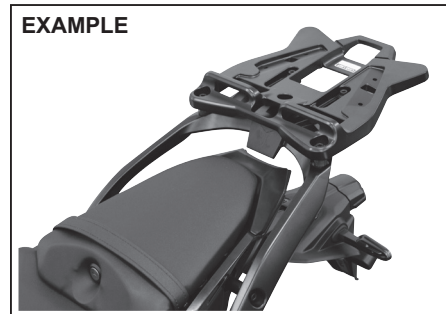
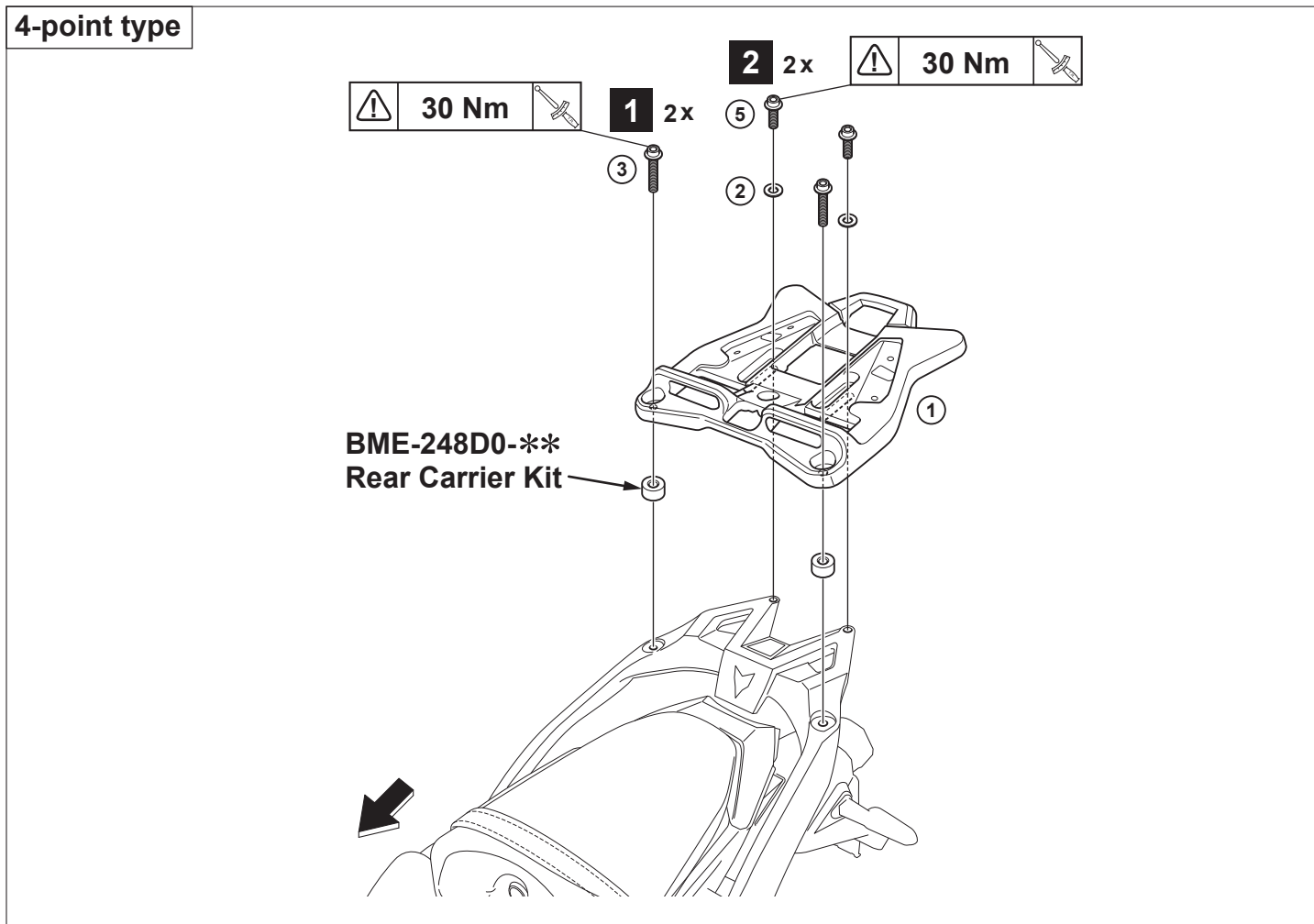



TRUNK MOUNT PLATE KIT

Posnr.	QTY		CARRIER Type		
			4-point	3-point [A]	3-point [B]
①	1		1		
②	2	 M8	2	NOT USED	NOT USED
③	2	 M8 X 40mm	2	NOT USED	NOT USED
④	3	 M8 X 35mm	NOT USED	NOT USED	3
⑤	3	 M8 X 25mm	2	3	NOT USED
⑥	3		NOT USED	NOT USED	3
⑦ -1	1	 5kg (11 lbs)	Select		
⑦ -2	1	 3kg (7 lbs)			





*Except following models, refer to CARRIER manual.




Easy, suitable for novice with little experience 

Fairly easy, suitable for beginner with some experience 

Fairly difficult, suitable for competent DIY mechanic 

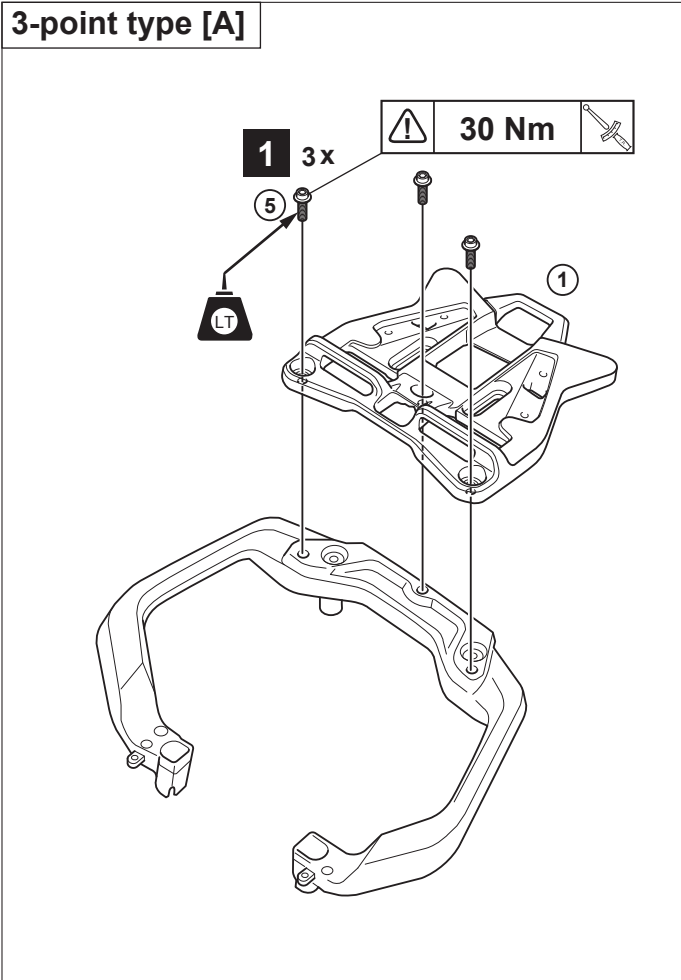
Difficult, suitable for experienced DIY mechanic 

Very difficult, suitable for expert DIY or professional 



TRUNK MOUNT PLATE KIT

3-point type [A]



3-point type [B]

