

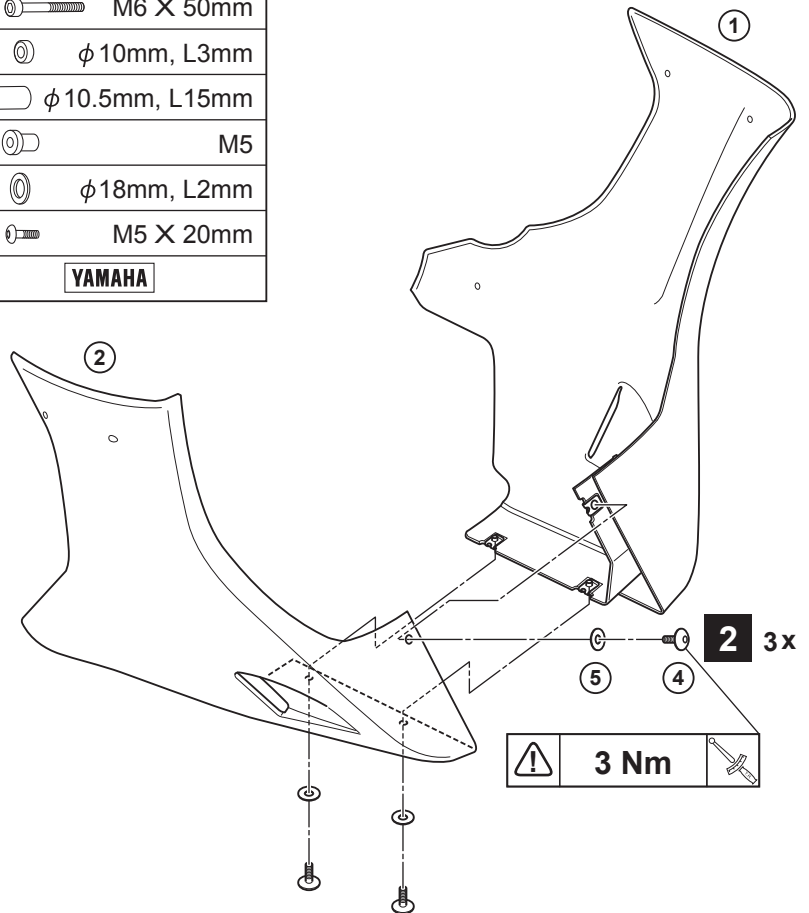
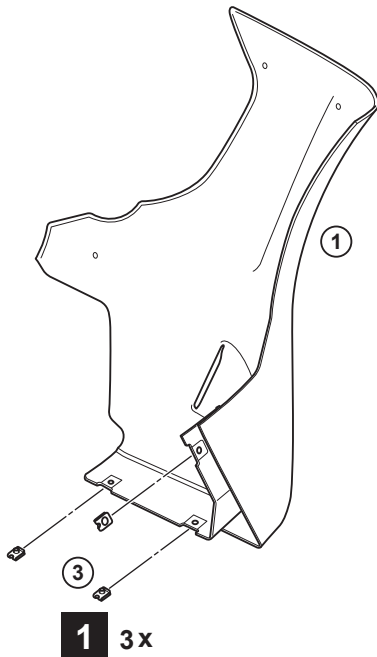
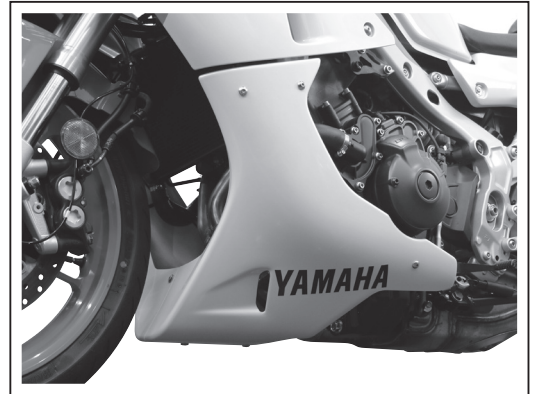
XSR900GP Under Cowling Kit

BMG-283R0-**



Posnr.	QTY	
①	1	
②	1	
③	3	
④	3	M5 X 12mm
⑤	9	ϕ 13mm, L0.5mm
⑥	1	
⑦	1	
⑧	2	

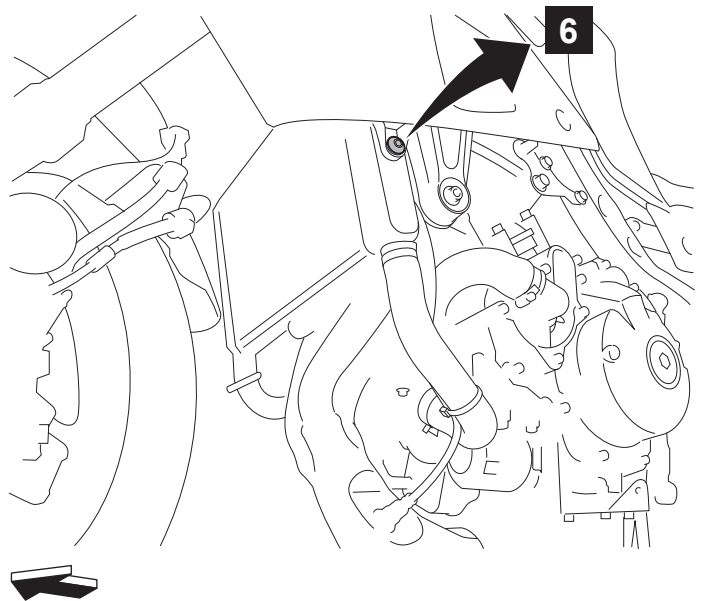
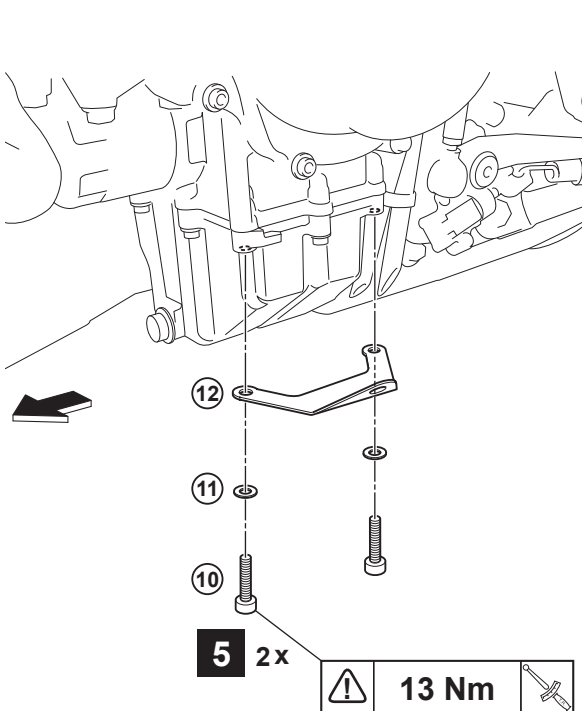
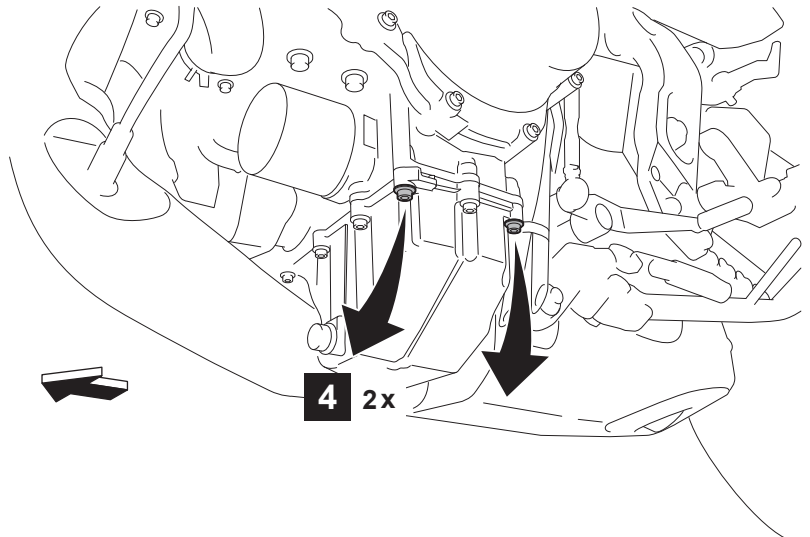
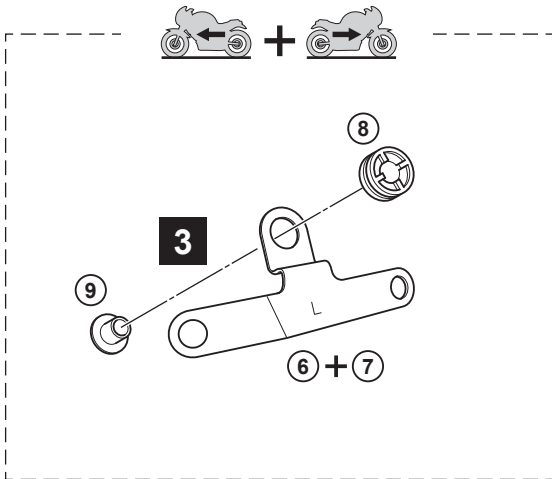
Posnr.	QTY	
⑨	2	
⑩	2	M6 X 28mm
⑪	2	ϕ 13mm, L1mm
⑫	1	
⑬	1	
⑭	2	M6 X 30mm
⑮	2	ϕ 20mm, L2mm
⑯	1	M6 X 35mm
⑰	1	M6 X 50mm
⑱	2	ϕ 10mm, L3mm
⑲	1	ϕ 10.5mm, L15mm
⑳	6	M5
㉑	4	ϕ 18mm, L2mm
㉒	6	M5 X 20mm
㉓	2	



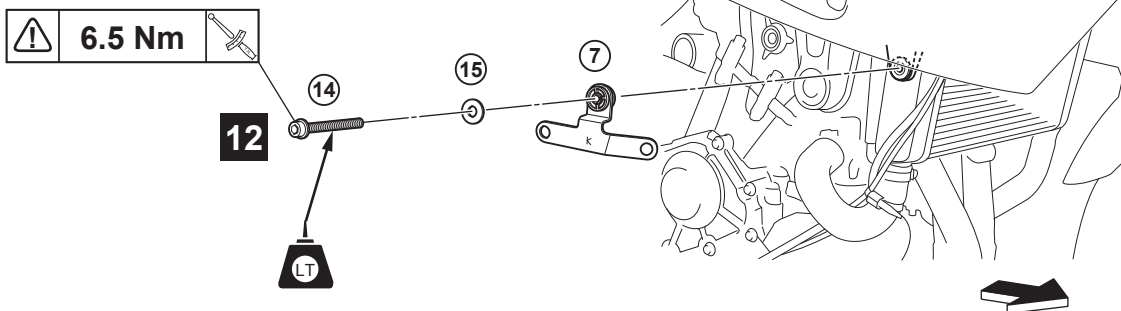
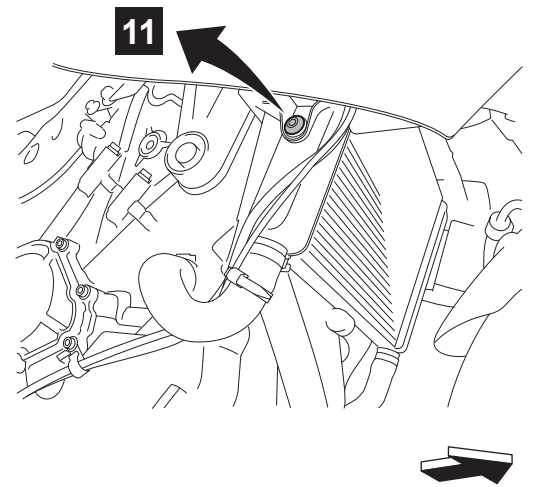
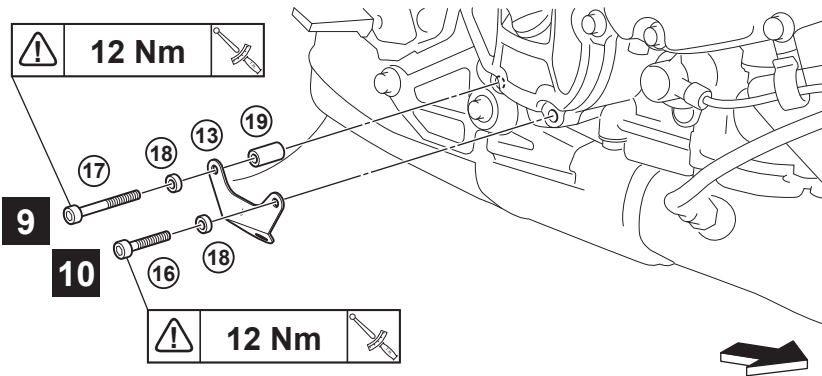
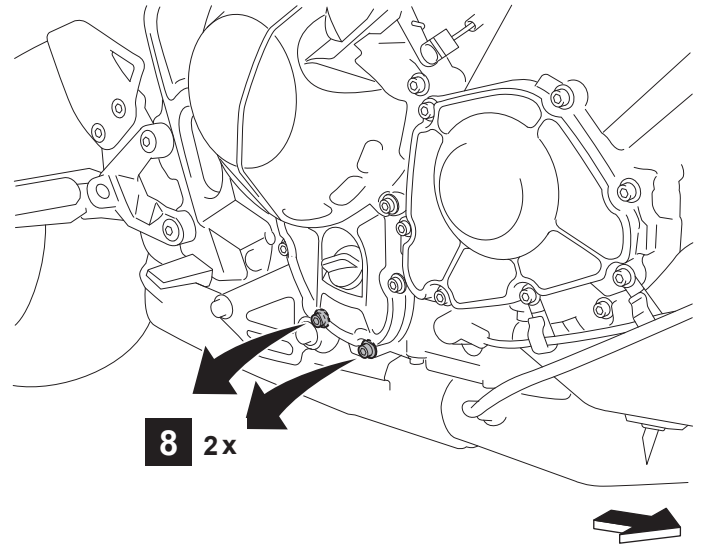
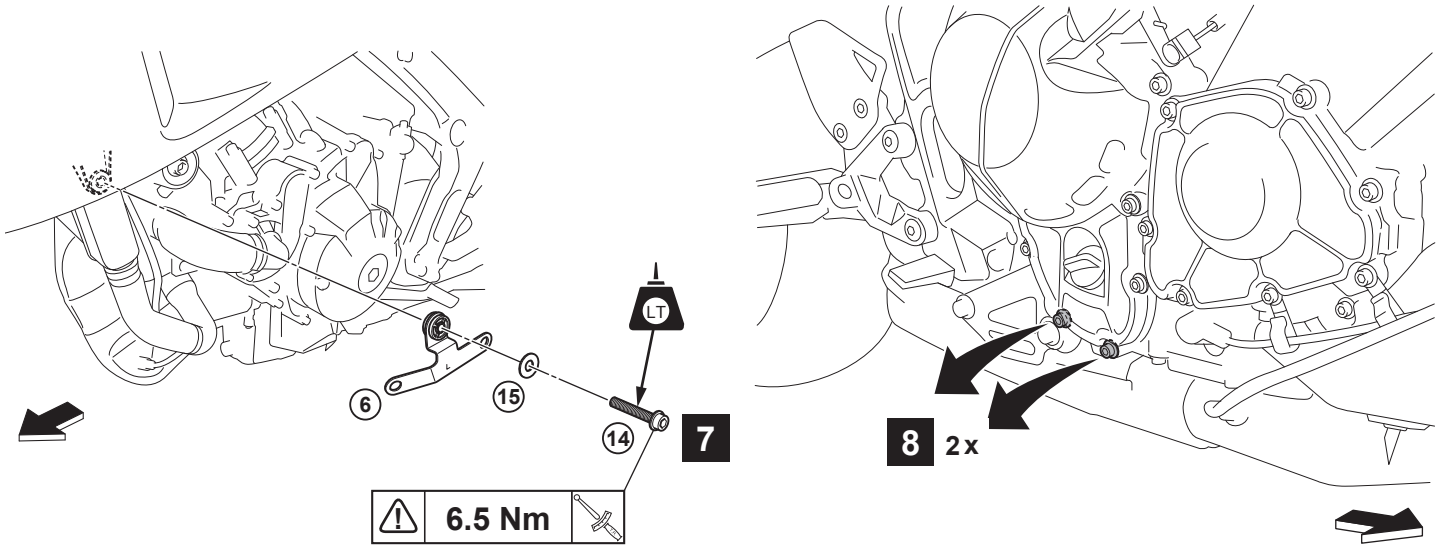
Easy, suitable for novice with little experience
Fairly easy, suitable for beginner with some experience
Fairly difficult, suitable for competent DIY mechanic
Difficult, suitable for experienced DIY mechanic
Very difficult, suitable for expert DIY or professional



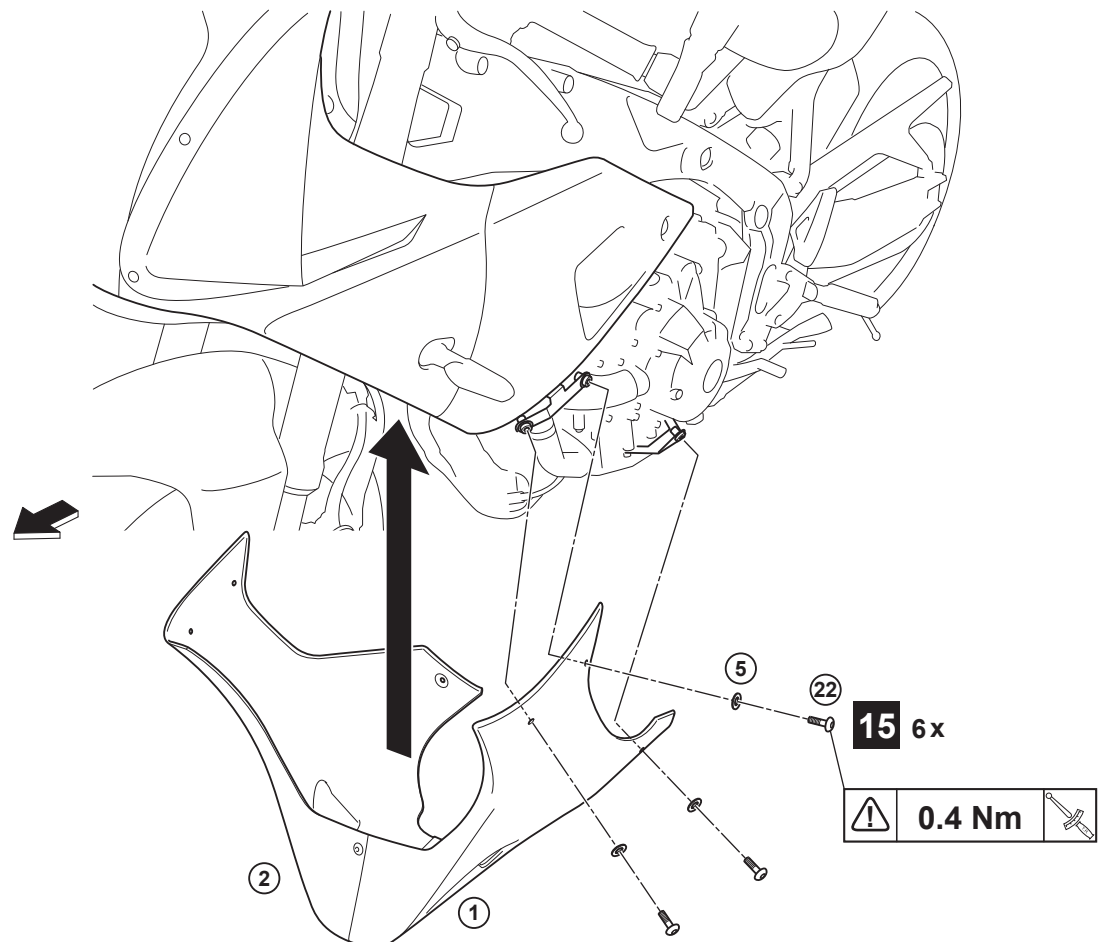
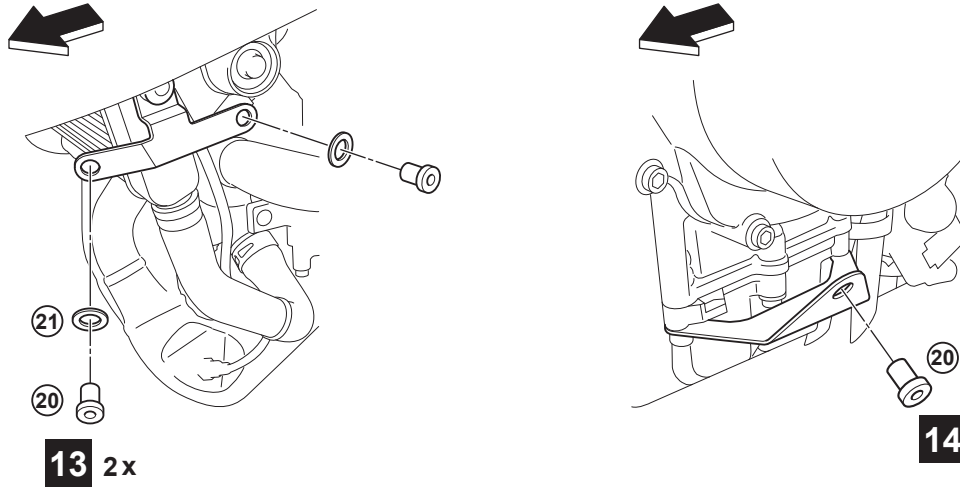
XSR900GP Under Cowling Kit



XSR900GP Under Cowling Kit



XSR900GP Under Cowling Kit



XSR900GP Under Cowling Kit

