

NMAX Performance Damper

BLS-211H0-**

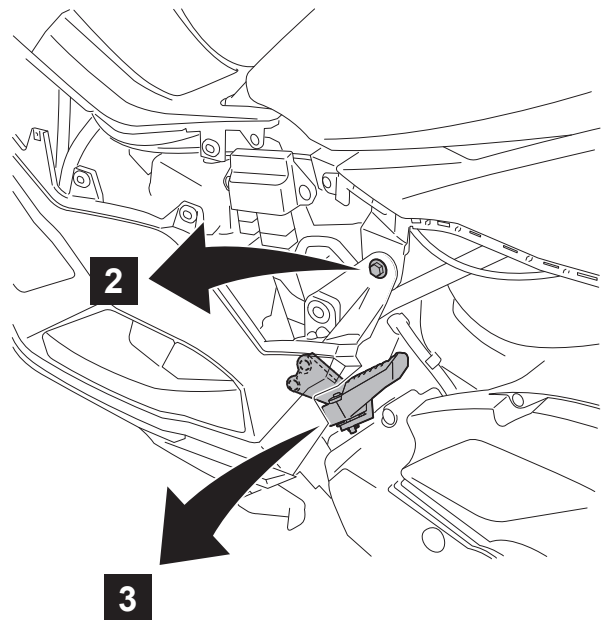
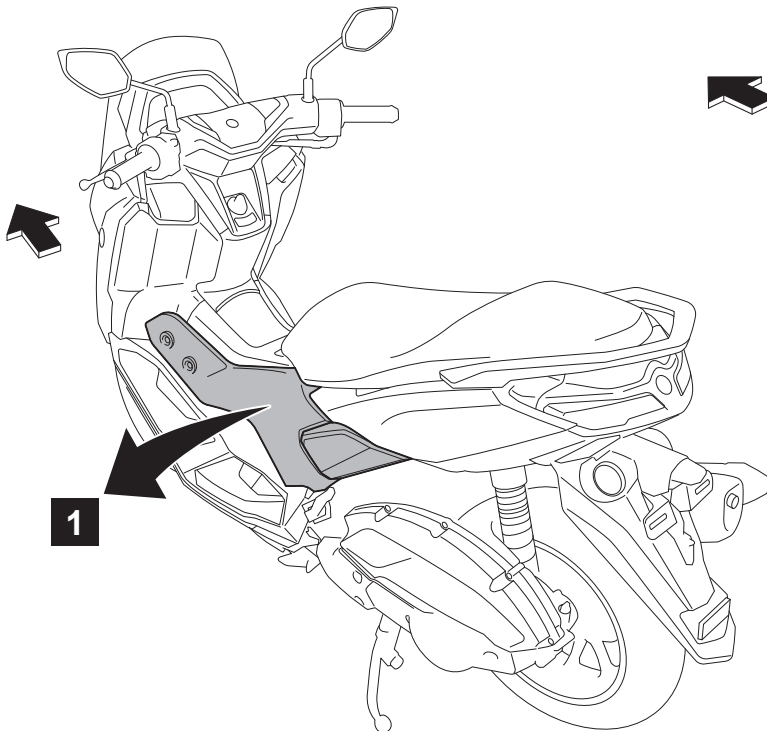
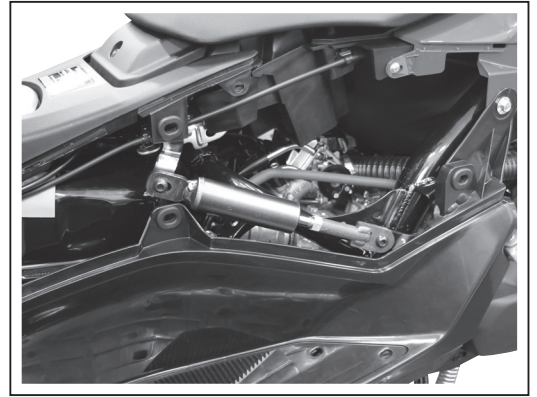


00:30



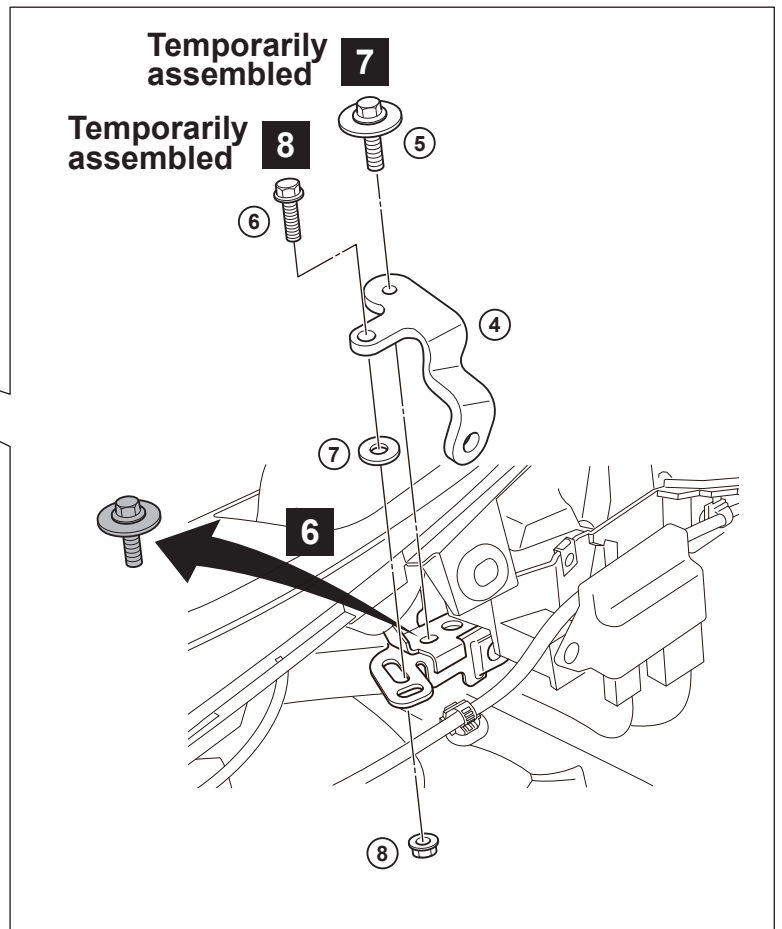
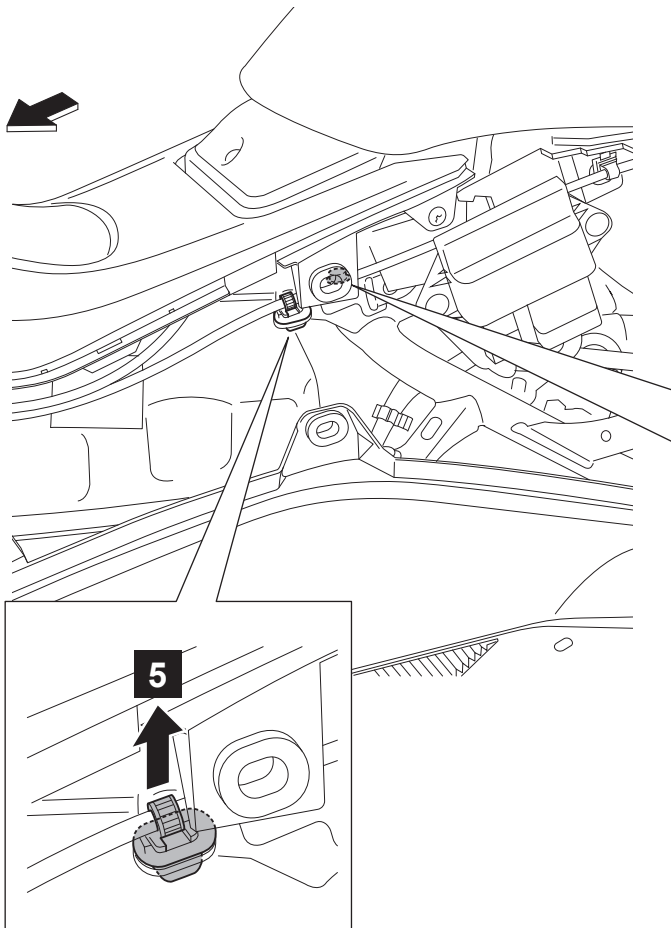
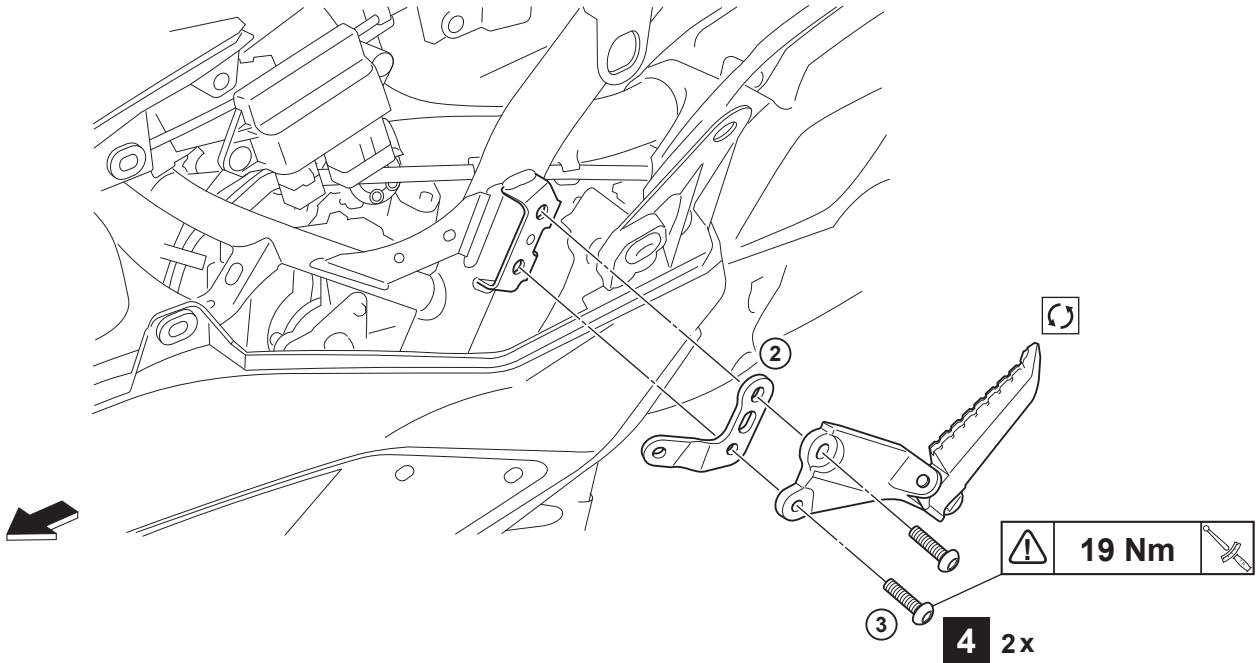
Posnr.	QTY	
①	1	
②	1	
③	2	M8 X 25mm
④	1	

Posnr.	QTY	
⑤	1	M6 X 20mm
⑥	1	M6 X 20mm
⑦	1	M6
⑧	1	M6
⑨	2	M8 X 30mm
⑩	3	M8
⑪	2	M8
⑫	1	

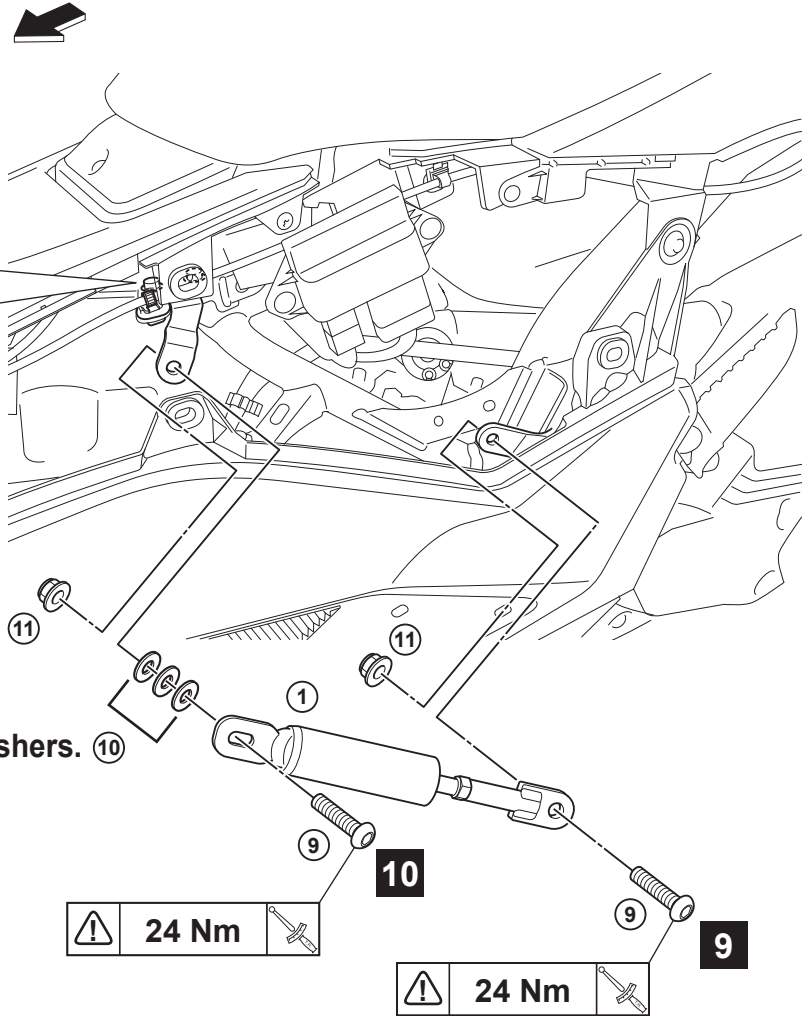
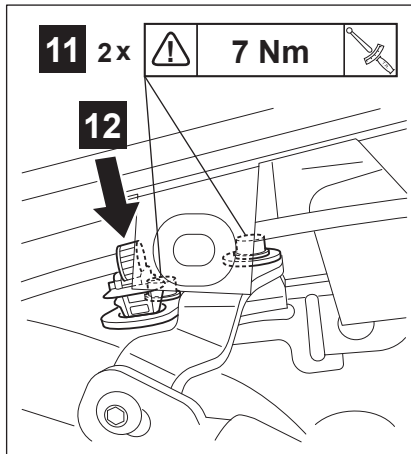


Easy , suitable for novice with little experience 	Fairly easy , suitable for beginner with some experience 	Fairly difficult , suitable for competent DIY mechanic 	Difficult , suitable for experienced DIY mechanic 	Very difficult , suitable for expert DIY or professional
--	---	---	--	---

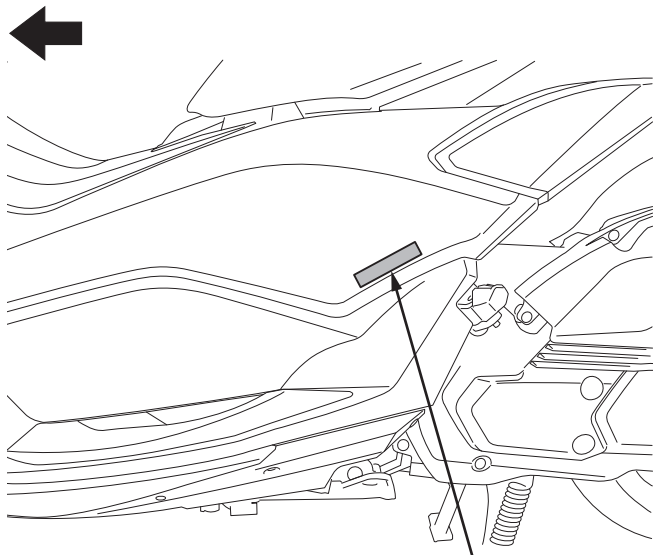
NMAX Performance Damper



NMAX Performance Damper



Adjust the gap using washers. **10**



13 **12**

Do not dent the cylinder

Do not expand or contract

Do not rotate the rod

