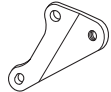
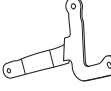
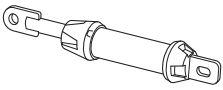
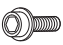

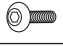



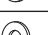
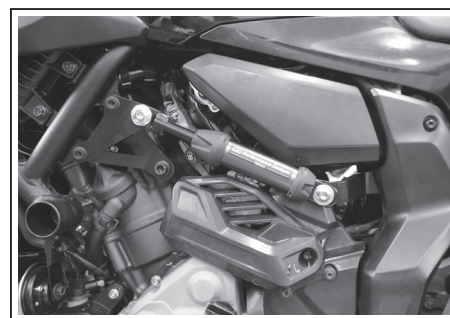


**BLW-211H0-\*\***

**DAMPER BRACE MT-07**

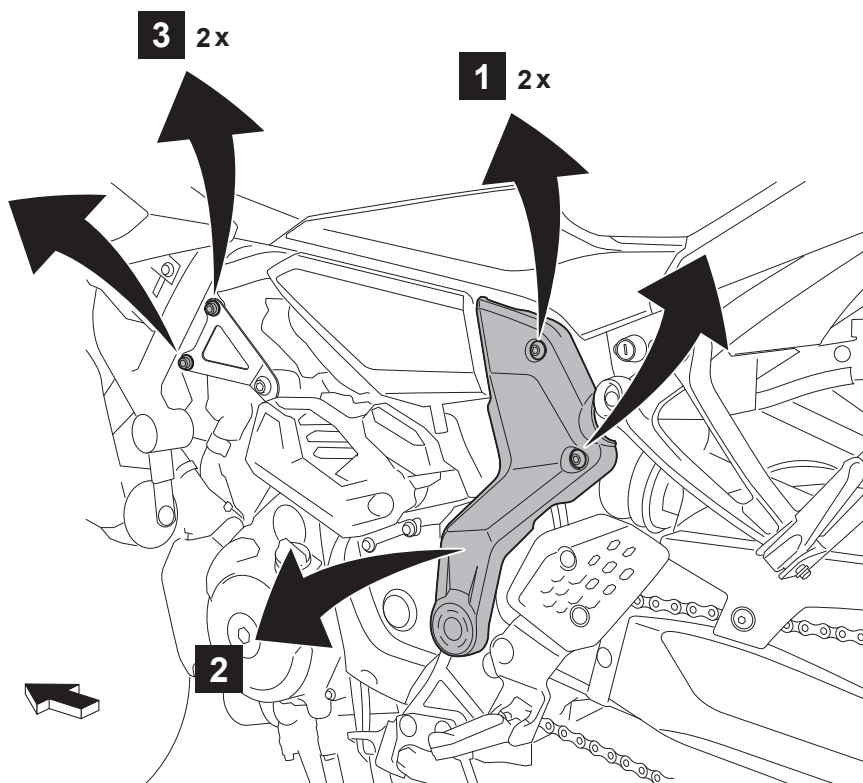
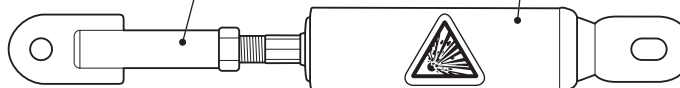
Posnr.	QTY	
①	1	
②	1	
③	1	
④	2	 M8 X 25mm
⑤	2	 M8 X 25mm
⑥	2	 M6 X 20mm
⑦	2	 M6
⑧	1	 M8
⑨	1	 M8
⑩	1	 M10




**✗ Do not dent the cylinder**


**✗ Do not expand or contract**


**✗ Do not rotate the rod**




Easy, suitable for novice with little experience 

Fairly easy, suitable for beginner with some experience 

Fairly difficult, suitable for competent DIY mechanic 

Difficult, suitable for experienced DIY mechanic 

Very difficult, suitable for expert DIY or professional 



**DAMPER BRACE MT-07**

