

YZF-R25/R3, MT-25/03 Performance Damper

BRA-211H0-**

YZF-R25/R3



01:00



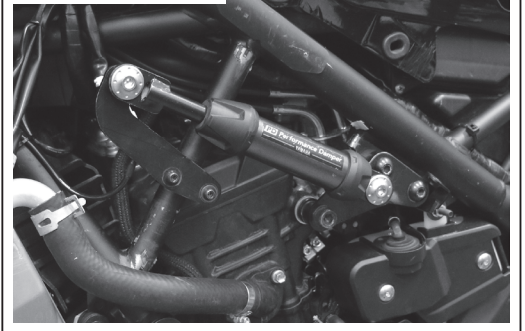
MT-25/03



00:18



YZF-R25/R3



MT-25/03



Posnr.	QTY	
①	1	
②	2	M8 X 25mm
③	1	M8
④	2	M8 t=2mm
⑤	1	M8 t=1mm
⑥	1	
⑦	2	M10 X 40mm
⑧	2	M10 L11mm
⑨	1	M8 L10mm

Posnr.	QTY	
⑩	1	
⑪	2	M6 X 55mm
⑫	2	
⑬	2	M6

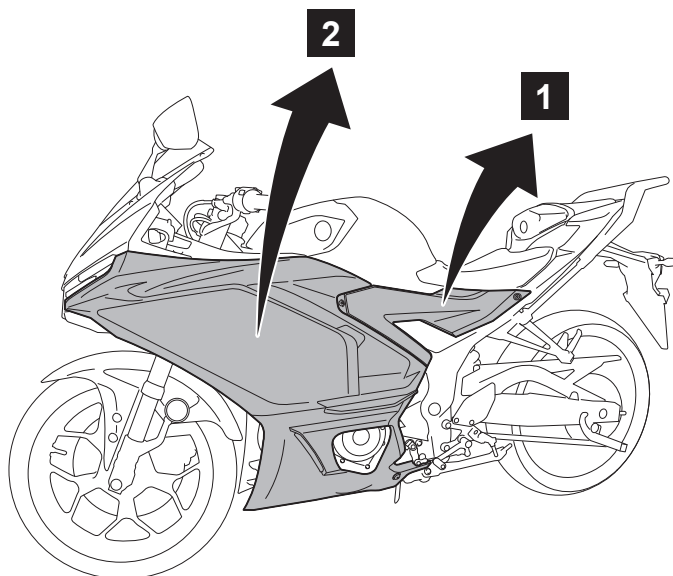
YZF-R25/R3

⑭	2	M6 L12mm
⑰	1	EMBLEM

MT-25/03

⑮	4	M10 t=2mm
⑯	2	M6 L18mm

■ YZF-R25/R3

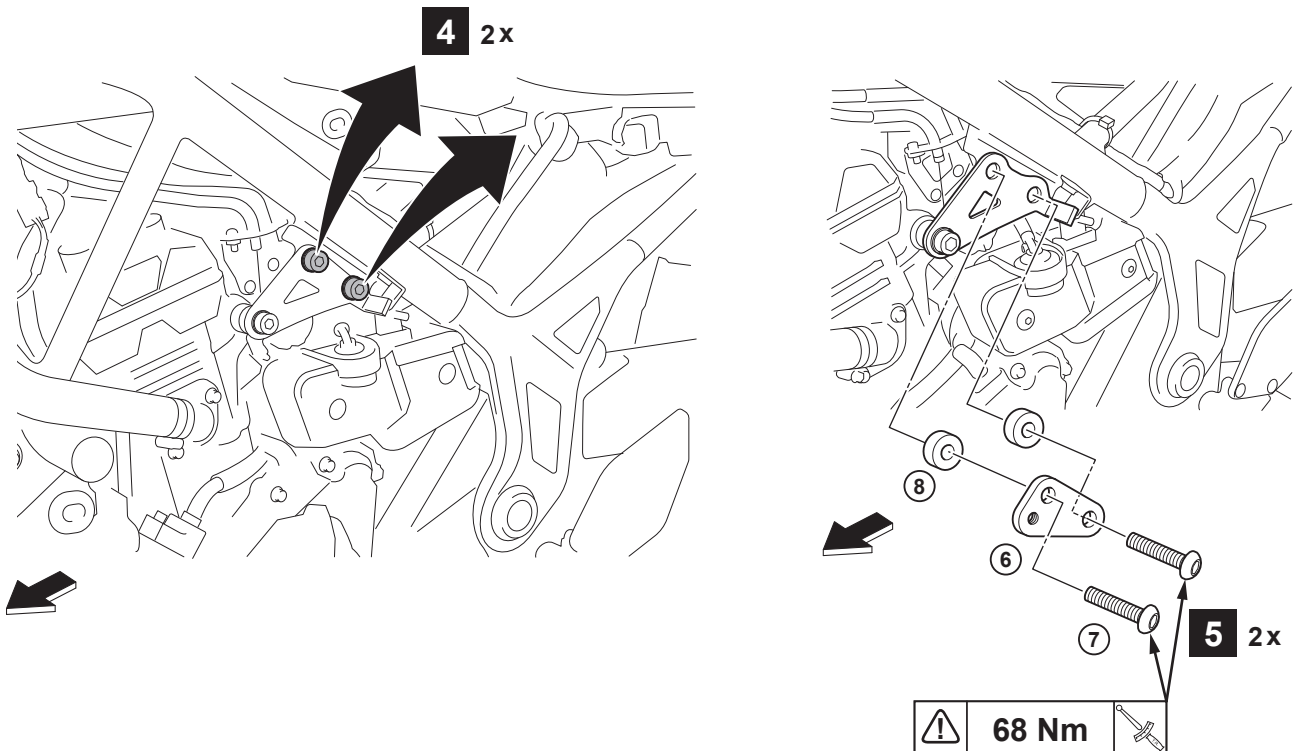
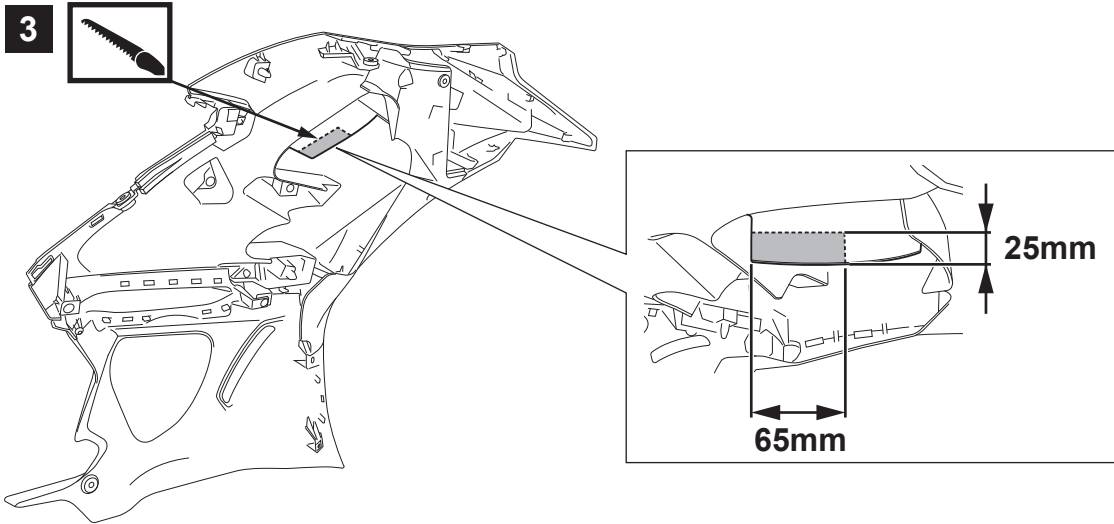


<p>Easy, suitable for novice with little experience</p>	<p>Fairly easy, suitable for beginner with some experience</p>	<p>Fairly difficult, suitable for competent DIY mechanic</p>	<p>Difficult, suitable for experienced DIY mechanic</p>	<p>Very difficult, suitable for expert DIY or professional</p>
---	--	--	---	--



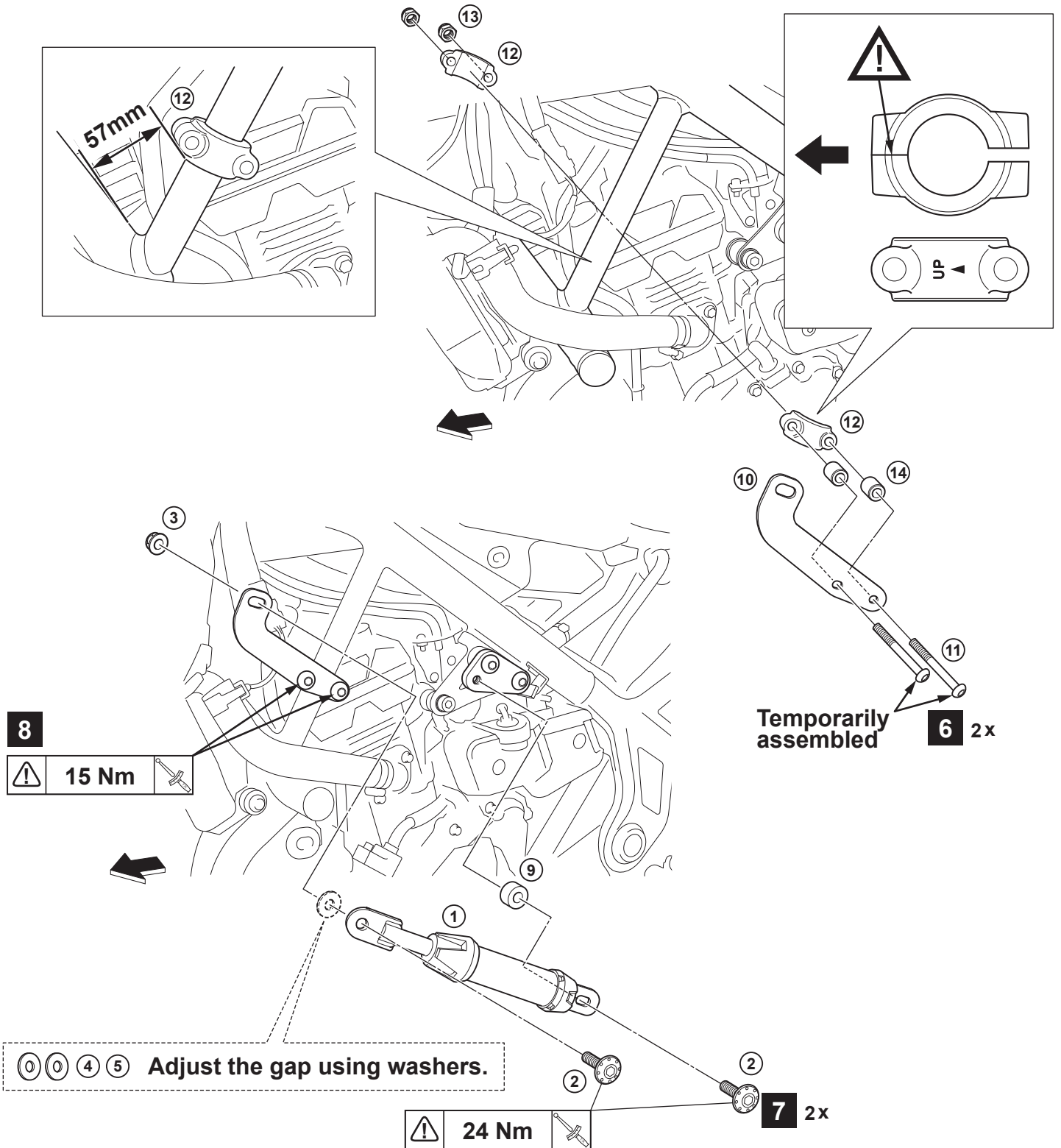
YZF-R25/R3, MT-25/03 Performance Damper

■ YZF-R25/R3



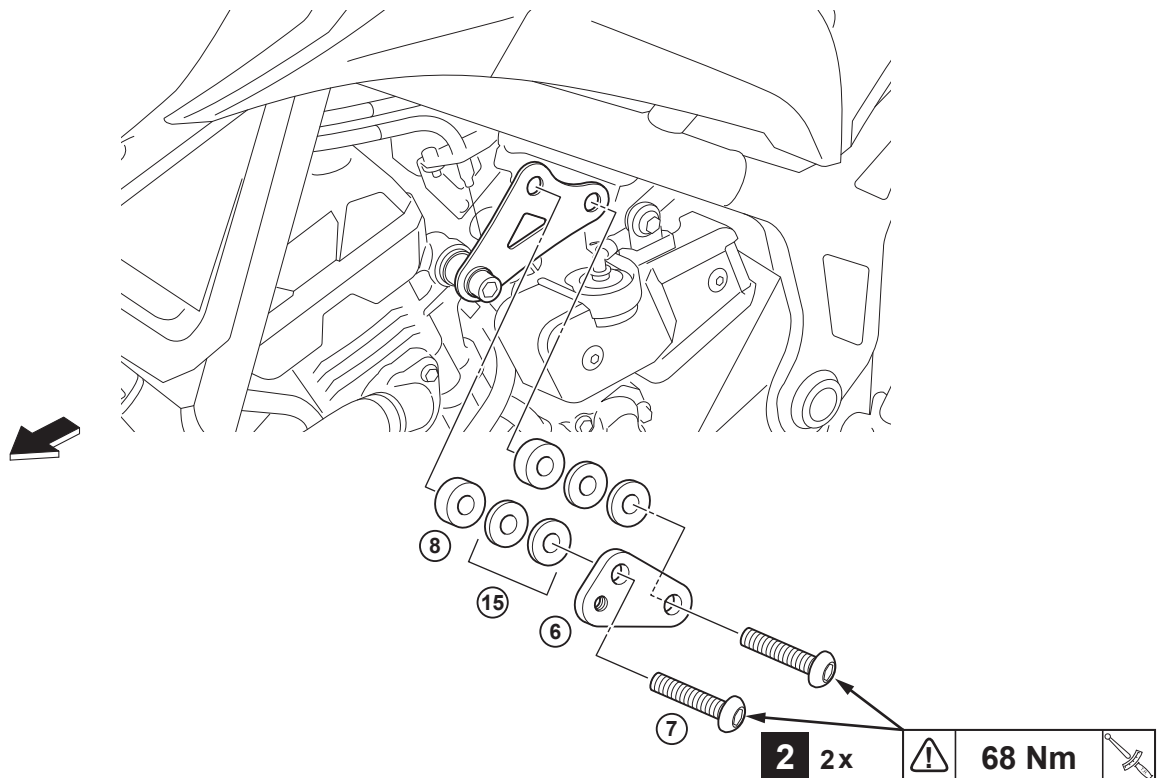
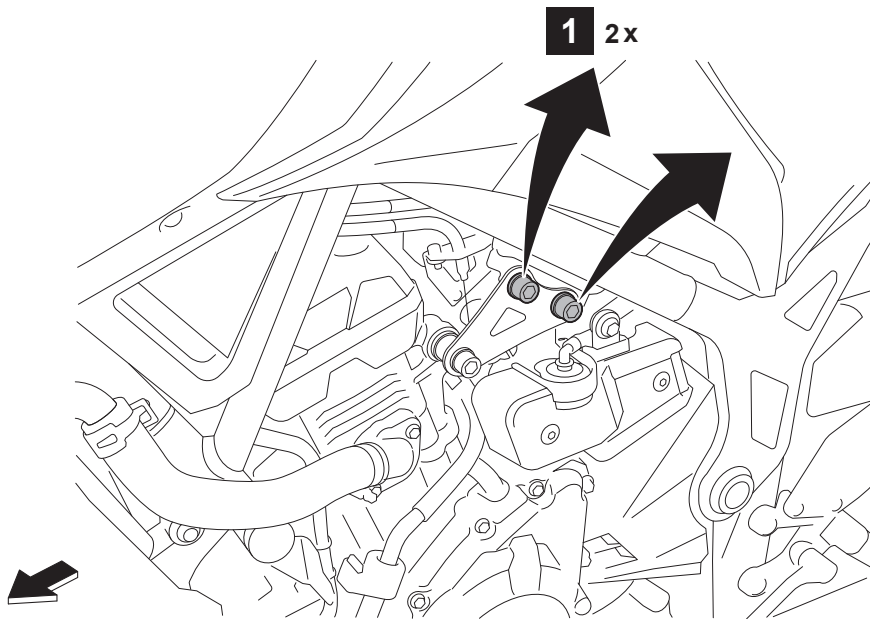
YZF-R25/R3, MT-25/03 Performance Damper

■ YZF-R25/R3



YZF-R25/R3, MT-25/03 Performance Damper

■ MT-25/03



YZF-R25/R3, MT-25/03 Performance Damper

■ MT-25/03

