

GARMIN. GC™ 12 MARINE CAMERA INSTALLATION INSTRUCTIONS

Mounting Considerations

You can mount the camera upside-down or sideways. You can reverse the camera image to use in rearview mode. See your chartplotter owner's manual for instructions.

You should mount the camera in a location where it is

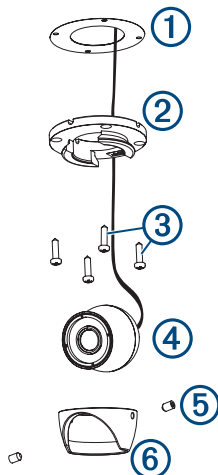
- not an obstacle in doorways or walkways.
- not exposed to extreme temperatures.
- not exposed to gas or oil.
- not exposed to radioactivity.
- not facing into direct sunlight or a direct reflection of sunlight.

Tools Needed

- 1 A fuse or circuit breaker
- Drill and 2 mm ($1/16$ in.) drill bit

Mounting the Camera

1 Secure the template ① to the mounting location.



- 2 Using a 2 mm ($1/16$ in.) drill bit, drill the pilot holes.
- 3 Adjust the dome base ② to the correct orientation for your desired camera tilt.
- 4 Secure the dome base to the mounting location using the included tapping screws ③.
- 5 Insert the camera ④ into the dome base.
- 6 Secure the set screws ⑤ into the dome front ⑥ using the included wrench.

Installation Considerations

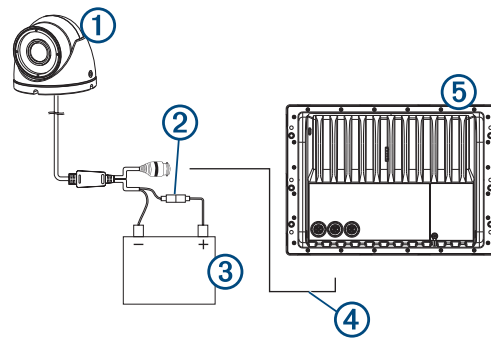
You must connect the camera power wire to the battery through a 1 A fuse or circuit breaker. If you do not use a fuse or circuit breaker, the camera can malfunction.

Some Garmin® GPSMAP® chartplotters have a built-in CVBS video encoder. Video from the camera or cameras appears on all chartplotters on the network when plugged into a single CVBS IN port. Go to www.garmin.com/manuals/gc12 for a list of compatible GPSMAP chartplotters.

If you want to use more than one camera or the chartplotter does not have a CVBS IN port, you must use an encoder.

You can add up to four cameras to one encoder and up to two encoders to the Garmin Marine Network.

Installation Diagram

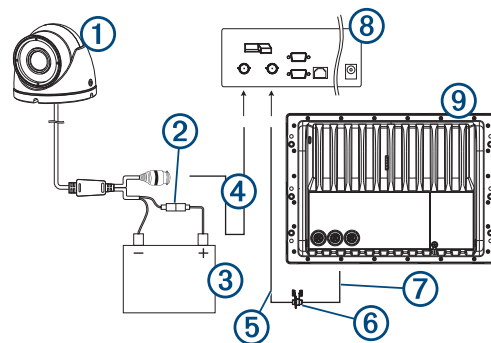


①	GC 12 Marine Camera
②	1 A fuse or circuit breaker (not included)*
③	12 Vdc Power source
④	BNC to BNC Coax Video Cable (not included)
⑤	Compatible Garmin chartplotter

*You must connect the camera power wire to the battery through a 1 A fuse or circuit breaker. If you omit a fuse or circuit breaker, the camera can malfunction.

Installation With Encoder Diagram

You can add more than one camera to your network when you use an encoder.



①	GC 12 Marine Camera
②	1 A fuse or circuit breaker (required, not included)*
③	12 Vdc Power source
④	BNC to BNC Coax Video Cable (not included)
⑤	Network cable
⑥	Power-over-Ethernet isolation coupler (GPN 010-10580-10)
⑦	Garmin Marine Network cable
⑧	Axis® Q7424 Encoder (optional/not included)
⑨	Compatible Garmin chartplotter

*You must connect the camera power wire to the battery through a 1 A fuse or circuit breaker. If you omit a fuse or circuit breaker, the camera can malfunction.

Troubleshooting

Video Does Not Appear on the Chartplotter Screen

- Verify all cables are firmly connected.
- Verify the video cable is connected to the camera video output port.

Image on the Chartplotter Screen is Dim or Dark

- Verify the lens is clean. If necessary, wipe the lens with a soft, clean cloth.
- If the camera is exposed to too much direct light, change the camera position or location.

- Adjust the contrast on your chartplotter. See your chartplotter manual for instructions.

Image on the Chartplotter Screen Flickers

- Verify the camera points away from the sun.
- Adjust the contrast on your chartplotter. See your chartplotter manual for instructions.

Camera is Not Working and the Surface is Hot

- Verify the camera is connected to an appropriate power source.

Specifications

Dimensions (W x H)	50.5 x 44.3 mm (2 x 1 ³ / ₄ in.)
Weight	150 g (5.3 oz.)
Operating temperature	From -10 to 50°C (from 14 to 122°F)
Operating current	IR off: 80 mA IR on: 170 mA
Storage temperature	From -15 to 60°C (from 5 to 140°F)
Power input	From 9 to 18 Vdc
Viewing angle	Vertical: 52 degrees Horizontal: 69 degrees
IR distance	10 m (33 ft.)
Video output	CVBS PAL
Effective pixels	Vertical: 582 Horizontal: 976

© 2018 Garmin Ltd. or its subsidiaries

Garmin®, the Garmin logo, and GPSMAP® are trademarks of Garmin Ltd. or its subsidiaries, registered in the USA and other countries. GC™ is a trademark of Garmin Ltd. or its subsidiaries. These trademarks may not be used without the express permission of Garmin.

Axis® is a registered trademark of Axis AB.

